

NIGHTFORCE®

Often we are asked what makes a Nightforce special.

You hold in your hand a catalog full of reasons. If we had to name just one, though, it's because we build them first and foremost for ourselves.

You see, most of us shoot. Many of us hunt. Some were introduced to Nightforce in our armed forces. We're dead serious about the quality of the optics we use personally. We won't waste our time using second-rate products. Nor will we build them.

That makes us the most demanding critics you will find. We won't make a product that has to hide behind a warranty, or that we wouldn't trust in competition, for a hunt on the other side of the world, or maybe even with our lives.

You would be surprised how many human hands, and how many individual lives, touch every Nightforce product. Maybe that's why our investment in them is personal as well as professional.

You may never use your Nightforce to the edge of its capability. However you use it, though, you can be assured that they're built to the toughest standards in the industry. Ours.

They're special that way.



INDEX

New for 2016	3
How a Nightforce is built	4
ATACR™ 5-25 x 56 F1™	6
ATACR™ 4-16 x 42 F1™	8
ATACR™ 5-25 x 56	10
B.E.A.S.T.™ 5-25 x 56 F1™	12
NXS™ 1-4 x 24 Compact	14
NXS™ 2.5-10 x 32 Compact	16
NXS™ 2.5-10 x 42 Compact	18
NXS™ 3.5-15 x 50	20
NXS™ 5.5-22 x 50/56	22
NXS™ 8-32 x 56	24
Competition™ 15-55 x 52	26
Competition™ Fixed 42 x 44	28
Precision Benchrest 8-32 x 56 & 12-42 x 56	30
SHV™ 4-14 x 50 F1	32
SHV™ 3-10 x 42	34
SHV™ 4-14 x 56	36
SHV™ 5-20 x 56	38
Reticles	40
Adjustment and Illumination Technology	43
TS-82™ Xtreme Hi-Def™ 20-70x Spotting Scope	44
TS-80™ Hi-Def™ 20-60x Spotting Scope	46
Nightforce rings, bases and mounts	48
Rings, bases and accessories	50
Miscellaneous accessories	52
MIL-SPEC riflescopes	54
In the field	56
The people of Nightforce	57
Riflescope specifications	58
Contact us	60

What do the icons mean?

Throughout our catalog you'll see various icons associated with our riflescopes. These will give you a quick visual reference as to the most applications for a given riflescope design. While most of our riflescopes do double or triple duty, some are especially appropriate for specific disciplines.



Target shooting,
competitive shooting,
extreme long range



Varmint and predator
shooting



General shooting



Tactical and
law enforcement



Big game hunting



CQB environments and 3
Gun competition



Dangerous game
hunting

There hasn't been a rifle built Nightforce can't handle.

When one of our customers told us about his 12,000+ shots through two .50 BMGs, followed by 970 rounds through a 14.5/114mm Russian, all with one Nightforce riflescope that never flinched, we thought we had heard it all.

That was until we encountered John Buhay, vice president of U.S. Armament Corp, with his 20mm Vulcan. It propels a 1757 grain bullet at 2720 fps, generating an unbelievable 30,000 ft. lbs. of muzzle energy. . . over twice that of the average .50 caliber. "I've fired over 4000 rounds through it," said John, "and my Nightforce performs as flawlessly as day one. Even with countless elevation adjustments. . . my Nightforce always returns to zero."

All cartridges shown actual size.



John Buhay, vice president of U.S. Armament Corp, with his Vulcan.



.50 BMG

14.5/114 Russian

20mm Vulcan

NEW FOR 2016

Our new **SHV™ 4-14 x 50 F1** brings affordable first focal plane performance to our award-winning product line.

PAGE 32



Expect a winning performance from our new **Competition™ Fixed 42 x 44**.

PAGE 28



Our new **Standard Duty Rings** combine performance with value.

PAGE 50



What's a **RAP?™** Or a **MultiMount?™** Some of our cool new accessories, that's what.

PAGE 50

Secure more in less rail space with our new **Compact Magmount™**.

PAGE 49



See why *Gun Digest* chose our **TS-80™ Hi-Def™ Spotting Scope** as their Gear of the Year.

PAGE 46



All trademarks, graphics and designs herein are the property of Nightforce Optics, Inc. Product specifications are subject to change without notice. Products may differ in appearance from those shown here. Visit www.NightforceOptics.com for current information, tutorials, and video. ©Nightforce Optics, Inc. 2016



IT'S WHAT YOU CAN'T SEE THAT DETERMINES WHAT YOU WILL SEE.

From the outside, every rifle scope looks pretty similar.

It's easy to hide inferior components, ordinary glass, and cost-cutting measures sealed inside a black tube. You might not even notice them. Until, that is, your scope fails due to repeated recoil. Or until it won't resolve your target in low light. Or until its adjustments wear prematurely. Or until it won't hold zero after a trip to the other side of the globe.

Nightforce riflescopes have been proven in combat, in Arctic cold, in desert heat, in environments that can—and will—cause less well built, less thoroughly tested riflescopes to quickly fail.

At best, that would be a major inconvenience. At worst, if your life depends upon your rifle scope, as it does for some Nightforce users, it could be fatal.

Whether you hunt, shoot professionally, push the limits of long-range accuracy, or take your Nightforce into harm's way, you need only be concerned with the brilliant image you see through it.

You can rest assured we've taken care of everything else.



Sudden Impact

Before they leave the factory, Nightforce riflescopes are subjected to conditions far beyond most anything a customer will ever encounter in the field. For example, during our impact tests, riflescopes must endure repeated impacts of over 1200 Gs of force at multiple axes. After each severe blow, it is hand-checked for tracking accuracy and overall integrity. If we can't make it fail, chances are you can't, either.

Detailed information and tutorials on Nightforce products can be found at www.NightforceOptics.com.



Our elevation adjustments are made with proprietary alloys that ensure a lifetime of resistance to wear, and performance as reliable years down the road as the day you bought your rifle scope.

Even with sophisticated CNC machining, some threads are so fine—and so precise—that only a skilled pair of human hands can assemble the components.

"...you get something that will do things other scopes can't do as well, or can't do at all. The Nightforces I see are mounted on the rifles of people who are not rich... but simply decided that what these scopes bring to the game is worth the sacrifice."

—David E. Petzal, Field Editor, Field & Stream

The \$250,000 rifle scope?

We have the distinct honor of being preferred by many fine rifle manufacturers as their test optic of choice. It makes sense; the repeatability of a Nightforce rifle scope will confirm (or deny) the inherent accuracy of a rifle. Those scopes can see thousands of rounds per year. That was the case with the veteran shown here, that came to us after overseeing more than a quarter of a million rounds of 7.62 NATO. Considering the price of ammunition, we figure that was close to \$250,000.

This kind of use is the greatest testimonial we can have to confirm our commitment to building a rifle scope the right way, the first time and every time. Every scope we make should be, and is, capable of this kind of endurance.

Fortunately, your Nightforce will not cost \$250,000. If you wish to invest that much in your shooting, at least you won't need to buy another rifle scope.



We meticulously hand-bed our lenses so no glass-to-metal contact exists that can result in breakage, stress or misalignment over time. It eliminates point-of-impact shifts or degraded image quality that can afflict lesser riflescopes in extremes of weather and temperature.

About Nightforce warranties

All Nightforce riflescopes are covered by a transferable Limited Lifetime Warranty, which says in simple words, if we did something wrong, we'll fix it. Some manufacturers will tempt you with warranties that will replace your rifle scope for any reason. We prefer to build Nightforce riflescopes properly in the first place—to last a lifetime free of problems. A warranty is no substitute for inherent quality. We believe the best warranty is the one you won't have to use.



MEET OUR FAMILY



The most technologically advanced, extreme-range tactical rifle scope on the market. Not for everyone. But if you need one, you'll know it.



The ultimate long-range riflescopes, evolved from our legendary NXS™ series. The finest ED glass, remarkable clarity and resolution, and every feature the serious shooter could possibly desire.



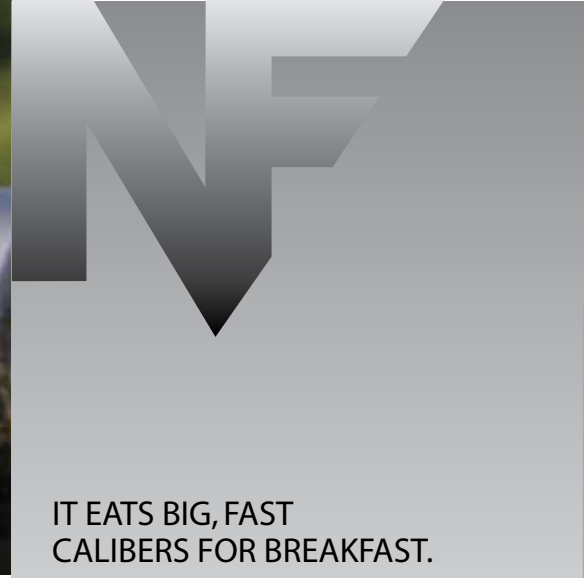
The original "bulletproof" riflescopes, created to perform—and survive—in service with special operations, tactical and sniper units. There are no more rugged, repeatable and dependable riflescopes on earth.



Purpose-built for the serious competition and long-range shooter. They're why more long-range records have been set with Nightforce than with any other rifle scope.



Nightforce quality at a reasonable cost. Simple, functional, yet highly precise and durable. The ultimate combination of performance and value.



ATACR
ADVANCED TACTICAL RIFLESCOPE

5-25 x 56 F1
THE NEW SUPERPOWER.

Optically brilliant. Unmatched mechanically. If you will settle for nothing less than the most precise, complete long-range capable riflescope money can buy, look no further. Our original ATACR™ (page 10) was hailed as “a revelation.” First focal plane reticle placement in the ATACR™ 5-25 x 56 F1 now adds an entirely new dimension.

The ED glass within the ATACR™ 5-25 x 56 F1 enables target engagements at distances previously considered “out of range.” There is nothing “standard” about the long list of features... we’ve included every ounce of technology and convenience with one goal in mind: absolute accuracy and confidence with every shot.

We won’t say the ATACR™ 5-25 x 56 F1 is perfect. You might, though.



Fully multicoated ED glass combined with a 56mm objective achieves brilliant images, excellent contrast and razor-sharp clarity with outstanding light transmission.

IT EATS BIG, FAST CALIBERS FOR BREAKFAST.

The ATACR™ 5-25 x 56 F1™ was created to exceed—not just meet—the potential of the newest super-magnum calibers and projectiles having extremely high ballistic coefficients. First focal plane reticles make range estimation and hold-offs faster and easier than ever. While some riflescopes impose limits, the ATACR™ F1 removes them. It is a riflescope in a class of its own.



34mm tube allows 120 MOA or 35 Mils total elevation travel; 30 MOA/12 Mil-Radian per revolution.

Side parallax adjustment with easy-to-read distance numbers.

Digillum

Digital reticle illumination (excluding Horus reticles) provides precise control from off through very bright to adjust to any lighting condition. Red or green illumination can be selected with the press of a button.

Patented Nightforce ZeroStop® technology gives you an instant return to your zero point, no matter how many elevation adjustments you’ve made in the field.

ZeroStop
NIGHTFORCE

First focal plane reticle placement.

Removable PTL™ (Power Throw Lever) allows instant magnification changes, even while wearing gloves.

Hi-speed threads for faster diopter adjustment.

Highly visible magnification markings are easy to read in any situation.

18.7 feet field of view @ 5x/100 yards, 4.92 feet @ 25x/100 yards.

The windage adjustment can be used exposed, for quick response, or capped to prevent accidental movement in the field.



A first focal plane reticle remains in the same visual proportion to the target across the scope’s entire magnification range, making it especially appropriate with rangefinding reticles. It has distinct advantages in high-stress situations and when encountering different targets at multiple ranges.



Focal plane	First
Objective outer diameter	65 mm
Exit pupil diameter	5x: 8.3 mm 25x: 2.3 mm
Field of view @100 yards/100 meters	5x: 18.7 ft 25x: 4.9 ft 5x: 5.7 m 25x: 1.5 m
Eye relief	85-90mm/3.35"-3.54"
Internal adjustment range (MOA/Mil)	e: 120 MOA w: 80 MOA e: 35 MIL-RADIAN w: 24 MIL-RADIAN
Click value	.250 MOA .1 MIL-RADIAN
Parallax adjustment	45 yd-∞
Tube diameter	34 mm/1.34"
Eyepiece outer diameter	46 mm
Overall length (in/mm)	15.37/390
Weight (oz/g)	37.6/1066
Mounting length (in/mm)	5.9/150
PTL (Power Throw Lever)	Standard
Reticles available	MOAR™ (F1) MIL-R™ (F1) H59* TReMoR3*

Illumination
Elevation feature



* Horus reticles are offered in non-illuminated versions only.



The windage adjustment can be used exposed for quick response, as shown here, or capped to prevent accidental movement in the field.



Riflescopes with 34mm tubes should be combined with mounts of uncompromising quality to ensure the ultimate in reliability and performance. Our Ultralite™ Unimount,™ for example, combines a 7075-T6 anodized aluminum body with titanium beta series crossbolts and jaws—providing the performance of steel at half the weight. It is the most accurate Mil. Std. 1913 mount available, incorporating a 20 MOA taper to maximize long-range capability.



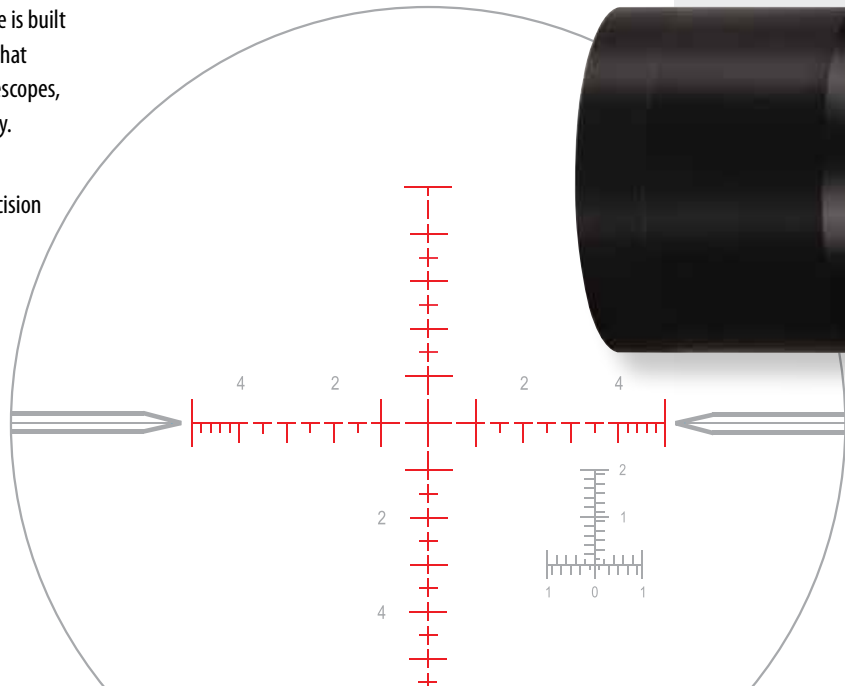
ATACR
ADVANCED TACTICAL RIFLESCOPE 4-16 x 42 F1

MASSIVE PERFORMANCE, MINIMAL PACKAGE

As precision semi-automatic rifles have become more popular, the need for a riflescope that could fully maximize their potential was identified by the U.S. Military and civilian shooters alike. Thus was born our compact and capable ATACR™ 4-16 x 42 F1.

Every conceivable feature to speed up target engagement time is built into its 12.6 inch-long profile. It will find and identify targets that lesser scopes miss. ED glass, a signature of all our ATACR™ riflescopes, produces stunning images of unparalleled brilliance and clarity.

First focal plane reticle placement, combined with Nightforce intelligent reticles, results in an instrument of exceptional precision and performance exceeding most riflescopes of any size.



Fully multicoated ED glass helps achieve light transmission values of over 90% to the eye, brilliant images, excellent contrast and razor-sharp clarity.

34mm tube allows 89 MOA or 26 Mils total elevation adjustment.

Low-profile ZeroHold™ technology gives you an easy return to your zero point, no matter how many elevation adjustments you've made in the field.



New, more highly visible magnification markings.

26.9 feet field of view @4x/100 yards, 6.9 feet @ 16x/100 yards.



Choose from .1 Mil-Radian adjustments (12 Mils per revolution) or .250 MOA adjustments (30 MOA per revolution).

Side parallax adjustment with easy-to-read distance numbers.

Digillum

Digital reticle illumination (excluding Horus reticles) provides precise control from off through very bright to adjust to any lighting condition. Red or green illumination can be selected with the press of a button.

First focal plane reticle placement.

Removable PTL™ (Power Throw Lever) allows instant magnification changes, even while wearing gloves.

Hi-speed threads for faster diopter adjustment.

"There is a ton to like about this scope. Clear, about the perfect size for most anything not designed for real long range."
—David Bahde, Firearms and Tactical Consultants

Focal plane	First
Objective outer diameter	50 mm
Exit pupil diameter	4x: 10.3 mm 16x: 2.7 mm
Field of view @100 yards/100 meters	4x: 26.9 ft 4x: 6.9 ft 16x: 2.1 m
Eye relief	85-90mm/3.35"-3.54"
Internal adjustment range (MOA/Mil)	e: 89 MOA w: 60 MOA e: 26 MIL-RADIAN w: 18 MIL-RADIAN
Click value	.250 MOA .1 MIL-RADIAN
Parallax adjustment	45 yd-∞
Tube diameter	34 mm/1.34"
Eyepiece outer diameter	45 mm
Overall length (in/mm)	12.6/320
Weight (oz/g)	30/850
Mounting length (in/mm)	6.3/160
PTL (Power Throw Lever)	Standard
Reticles available	MOAR™ (F1) MIL-R™ (F1) H59* TReMoR3* Digillum™ ZeroHold™
Illumination	
Elevation feature	

* Horus reticles are offered in non-illuminated versions only.



ATACR
ADVANCED TACTICAL RIFLESCOPE

5-25 x 56

IT PUTS THE "LONG" IN "LONG RANGE."

The original member of the ATACR™ family created quite a stir when it was introduced. It still does. A second focal plane riflescope of unprecedented long-range capability, it exceeds the potential of the flattest-shooting cartridges and high ballistic coefficient projectiles.

Multi-coated ED (Extra Low Dispersion) glass is the highest quality available today, producing images of remarkable brilliance, sharpness and color contrast. Light transmission is exceptional.

Built on a 34mm tube, the ATACR™ provides a full 120 MOA/35 Mil-Radian of elevation adjustment, putting just about any target in reach.

Since its introduction, the ATACR™ has pushed the envelope of precision...and possibility. It continues to redefine the "long" in "long range" for accomplished shooters and hunters.



Fully multicoated ED glass helps achieve light transmission values of over 90% to the eye, brilliant images, excellent contrast and razor-sharp clarity.

34mm tube allows 120 MOA/35 Mil-Radian of total elevation adjustment.

Digillum
Digital reticle illumination

Side parallax adjustment with easy-to-read distance numbers focuses from 45 yards to infinity.



Removable PTL™ (Power Throw Lever) allows instant magnification changes, even while wearing gloves.

"The first glance through the ATACR™ was a revelation... a huge, bright, virtually perfect image, absolutely flat and distortion free... what sets these scopes apart are two things: They are tremendously strong — immune, as far as I can tell, from recoil and just about everything else. And they are repeatable. Their big adjustment knobs will send a bullet exactly where you tell it to go time after time after time."

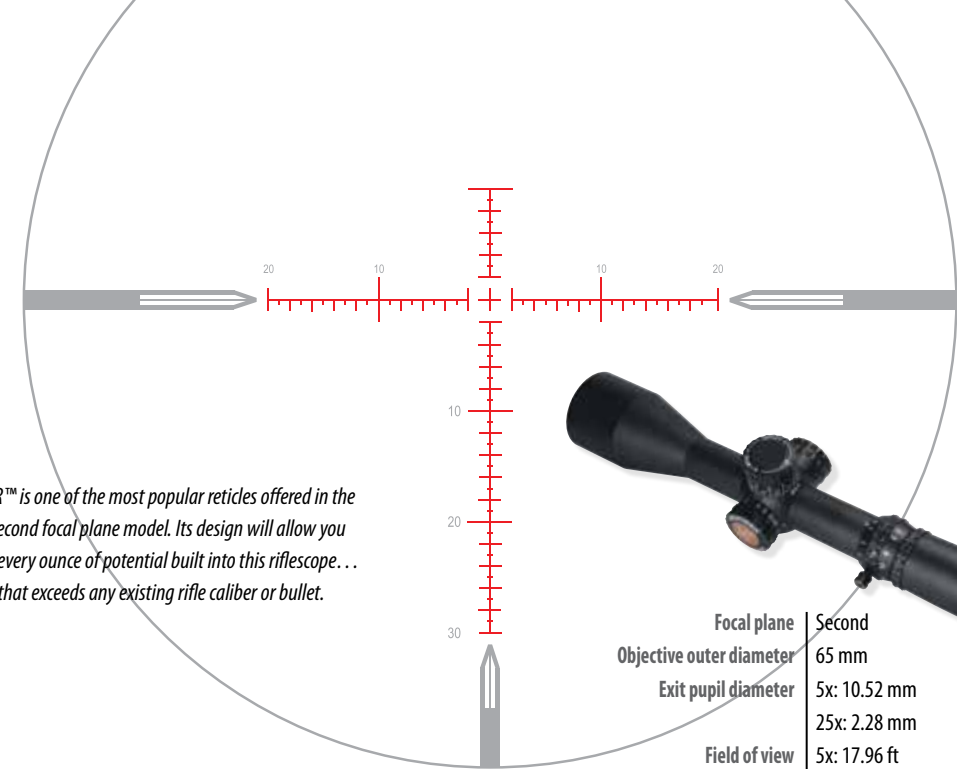
—David E. Petzel, rifle field editor, Field & Stream



Bad News for a big muley

Nathan Pitcher, national sales manager for Noreen Firearms LLC, knows rifles. And riflescopes. He used a Noreen Bad News semi-auto in .338 Lapua with a Nightforce ATACR™ 5-25 x 56 to drop this highly impressive mule deer at 617 yards. "We shoot every weekend," Nathan said, "and I have yet to find a better scope for hunting or competition."

Our MOAR™ is one of the most popular reticles offered in the ATACR™ second focal plane model. Its design will allow you to realize every ounce of potential built into this riflescope... potential that exceeds any existing rifle caliber or bullet.



Focal plane	Second
Objective outer diameter	65 mm
Exit pupil diameter	5x: 10.52 mm 25x: 2.28 mm
Field of view @100 yards/100 meters	5x: 17.96 ft 25x: 4.92 ft 5x: 5.47 m 25x: 1.5 m
Eye relief	90 mm/3.54"
Internal adjustment range (MOA/Mil)	e: 120 MOA w: 60 MOA e: 35 MIL-RADIAN w: 17 MIL-RADIAN
Click value	.250 MOA .1 MIL-RADIAN
Parallax adjustment	45 yd-∞
Tube diameter	34 mm/1.34"
Eyepiece outer diameter	44 mm
Overall length (in/mm)	14.3/363
Weight (oz/g)	39/1108
Mounting length (in/mm)	6.13/156
PTL (Power Throw Lever)	Standard
Reticles available	MOAR™ MOAR-T™ MIL-R™ ZeroStop™
Illumination	ZeroStop™
Elevation feature	Digillum™



WHAT'S IN A NAME? EVERYTHING.

Why would anyone name a riflescope the B.E.A.S.T.?

Yes, it stands for "Best Example of Advanced Scope Technology." Because that's what it is. Quite simply, it's the most sophisticated riflescope we've ever built... with capabilities unparalleled in the optics industry.

Extra-Low Dispersion (ED) glass. Intelligent elevation controls. The ability to identify and engage targets at extreme distances, at speeds never before possible. 60 MOA/20 Mil-Radians of elevation in a single turn.

It was so challenging to build that at times we felt we had created a monster... a "beast" that was years in development, presenting engineering challenges the likes of which we've never experienced. After all, making a copy is easy. Breaking entirely new ground is another matter altogether.

It was worth every bit of effort. If you need to deliver a round somewhere very far and very fast, you'll be very glad to have this B.E.A.S.T.™ on your side.



ED glass of such clarity and resolving power that you can easily identify targets lesser scopes will not even distinguish.

The B.E.A.S.T.™ is not for everyone. But if you need one, you will know it.

As the shooting community continues to push the envelope of pinpoint accuracy at extreme ranges, and as rifles, bullets and new calibers become ever more capable, many riflescopes have been left behind.

We created the B.E.A.S.T.™ to lead, not to follow. It breaks new ground in riflescope design and manufacturing technology.

It allows you to break new ground in your shooting.

34mm tube provides maximum elevation adjustment range (120 MOA/35 Mils total).



90%+ light transmission

The result of collaboration between U.S. and German optical engineers, the B.E.A.S.T.™ provides some of the highest light transmission values ever achieved in a riflescope.

MOA or Mil-Radian?

Your choice of MOA (.50 XtremeSpeed™/.250 fine elevation, .250 windage) or Mil-Radian (.2 Mil XtremeSpeed™/.1 Mil fine elevation, .1 Mil windage) adjustments.

Digillum™

Nightforce fully digital Digillum™ illuminated reticle technology is standard (excluding Horus reticles). It will default to the previous setting you chose before turning it off.

i4F™ Elevation Controls

The B.E.A.S.T.™ i4F™ elevation system provides four separate elevation adjustment functions. It is lightning fast, completely intuitive, and not found on any other riflescope.

i4F™ Elevation and 360° Brake Controls

The 360° brake control prevents accidental or unintended adjustment to the XtremeSpeed™ elevation adjustment. This allows you to make an elevation adjustment in the field and keep it in place.

It's very fast and simple to use. Simply rotate the 360° brake control 45° clockwise. The brake control will rise into position, exposing a red brake engagement indicator. To disengage, depress the 360° brake control and rotate 45° counter-clockwise to allow adjustment. That's it, from start to stop and back in only 45° degrees of movement.

i4F™ XtremeSpeed™ Adjustments

60 MOA/20 Mils of elevation adjustment in a single rotation (means you will never get "lost" or have to worry about color codes or other complicated mechanisms. Having 60 MOA/20 Mils available in a single turn makes it highly unlikely you will ever need more

i4F™ and M2™ Precision Elevation Lever

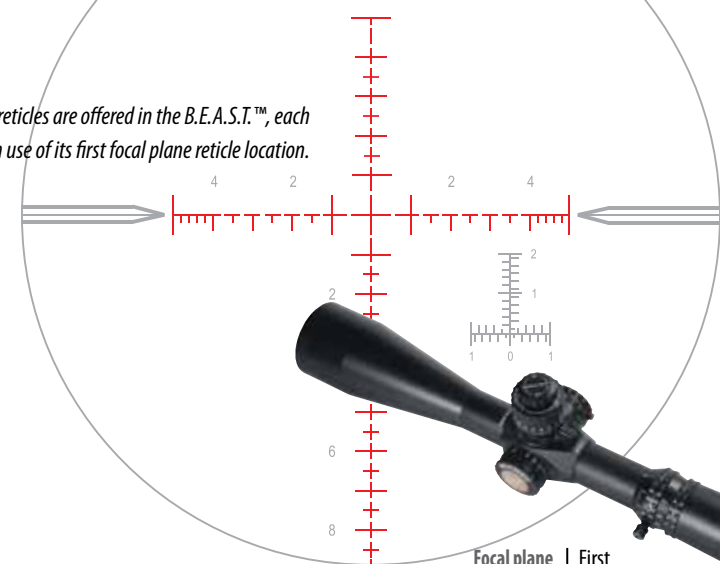
Make your initial elevation adjustments instantly with the primary adjustment knob, in .50 MOA or .2 Mil-Radian increments. Then, for extreme precision, a simple throw of our fine adjustment lever provides an additional elevation adjustment of .250 MOA or .1 Mil-Radian. Never have elevation adjustments to extreme ranges been faster and more precise.

i4F™ and ZeroStop™

Our patented ZeroStop™ elevation system allows you to return to your established zero point at any time, simply by feel. No guessing, no searching, no visual reference needed. ZeroStop™ provides similar capability on windage adjustments.



Several MOA- and Mil-Radian-based reticles are offered in the B.E.A.S.T.™, each designed to make maximum use of its first focal plane reticle location.



First focal plane reticle subtensions remain in proportion to the target at any magnification allowing simpler target hold overs, windage leads and rangefinding.

Focal plane Objective outer diameter	65 mm
Exit pupil diameter	5x: 8.3 mm 25x: 2.3 mm
Field of view @100 yards/100 meters	5x: 18.7 ft 25x: 4.92 ft 5x: 5.7 m 25x: 1.45 m
Eye relief	85-90mm/3.35"-3.54"
Internal adjustment range (MOA/Mil)	e: 120 MOA w: 80 MOA e: 35 MIL-RADIAN w: 23 MIL-RADIAN
Click value	.50 and .250 MOA .2 and .1 MIL-RADIAN
Parallax adjustment	45 yd-∞
Tube diameter	34 mm/1.34"
Eyepiece outer diameter	46 mm
Overall length (in/mm)	15.37/390
Weight (oz/g)	40/1134
Mounting length (in/mm)	5.92/150
PTL (Power Throw Lever)	Standard
Reticles available	MOAR™ (F1) MIL-R™ (F1) H59* TReMoR3* Digillum™ ZeroStop™
Illumination Elevation feature	

Integrated PTL (Power Throw Lever) allows instant magnification changes, even while wearing gloves.

* Non-illuminated only



NXS™ 1-4 x 24 COMPACT

IT JUST MIGHT SAVE YOUR LIFE.

There is no other riflescope quite like our NXS™ 1-4 x 24.

As one of the few true 1x variables in the world, it provides a field of view identical to open sights, but vastly more precise. For the hunter, this makes it ideal for use on a dangerous game rifle. For the military or law enforcement professional, it is invaluable in CQB situations. Its capability—beyond that of any red dot/magnifier combination—also makes it a top choice for three-gun competitive shooting.

The straight tube construction makes it the strongest riflescope we make... possibly the toughest scope on the planet. It is unfazed by the largest caliber or the most brutal environment.

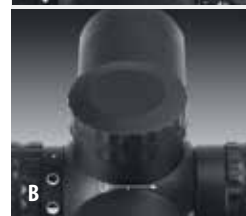
Small, streamlined, and infinitely versatile, it can be a lifesaver. Literally.



The NXS™ 1-4 x 24 is ideal for the AR platform, especially on shorter, lighter rifles that might be used in CQB environments and where speed and a broad field of view is critical.



Open sights are ideal for hunting dangerous or rapidly moving game, but many hunters' eyes are such that they cannot effectively use them. At one power, the NXS™ 1-4 x 24 provides the same view as open sights, making it an ideal choice for double rifles and large-caliber safari rifles. The ability to use 4x magnification also lets the NXS™ 1-4 x 24 do double duty on plains game and smaller targets, allowing one rifle to suffice for a multi-species hunt.



All NXS™ Compact riflescopes are offered with exposed ZeroStop™ adjustments for rapid adjustments in the field (A) or capped, enclosed adjustments that won't snag on clothing or branches (B).



Reticle illumination is standard, with 11 settings from off to very bright.



The FC-3G™ reticle was created specifically for the NXS™ 1-4 x 24, and is optimized for rifles with 16" barrels. It provides accurate holdovers to 600 yards, a 200-yard center dot zero and 10 mph windage holds. Also optimized for most 5.56 NATO (.223 Rem.) and 7.62 NATO (.308 Win.) cartridges, it adds longer-range capability to this remarkable versatile riflescope.



One chance only

Tom Bulloch took this Iowa whitetail during the 2014 muzzleloading season using a NXS™ 1-4 x 24. "Many people think a top-quality riflescope isn't necessary on a 'primitive' weapon," he said. "I disagree. With a muzzleloader, you usually get only one shot... often at first or last light. Shot placement is critical, and optics that provide exceptional clarity and light transmission make that possible."

Why are there so few true one-power variable riflescopes on the market?

Because they are extremely difficult to build. Starting at 1.5x or even 1.1x magnification is easy. The complicated physics of optical engineering, though, make it very challenging to start at a true one power—no magnification—setting. That is why you see so few of them offered. Experienced shooters know that it is often critical to be able to use both eyes open with a riflescope that does not change or inhibit your natural field of view. The NXS™ 1-4 x 24 is the solution for those times.



Focal plane	Second
Objective outer diameter	30 mm
Exit pupil diameter	1x: 16 mm 4x: 6 mm
Field of view @100 yards/100 meters	1x: 100 ft 4x: 25 ft 1x: 30.5 m 4x: 7.6 m
Eye relief	90 mm/3.5"
Internal adjustment range	e: 100 MOA w: 100 MOA
Click value	.250 MOA
Parallax adjustment	Fixed 75 yd
Tube diameter	30 mm/1.18"
Eyepiece outer diameter	40 mm
Overall length (in/mm)	8.8/224
Weight (oz/g)	17/482
Mounting length (in/mm)	5.4/137
PTL (Power Throw Lever)	Standard
Reticles available	FC-3G™ IHR™
Illumination Elevation feature	External adj ZeroStop™



Just 8.8 inches in length and 17 ounces in weight.



Removable PTL™ (Power Throw Lever) allows instant magnification changes, even while wearing gloves.

100' field of view at 1x, 100 yards.

NXS 2.5-10 x 32 COMPACT

IT'S SMALL. AND IT'S HUGE.

If ever you needed proof that a riflescope needn't be heavy, bulky and clumsy to provide big performance, this is it.

Just 12 inches in length and weighing only 19 ounces, the NXS™ 2.5-10 x 32 represents the optimum in size-to-weight performance. Its low mounting profile and streamlined form is barely noticeable on a sleek hunting rifle or compact AR. Its impressive performance in low light proves that a large objective lens is no guarantee of image quality.

It is unaffected by repeated recoil from the most powerful calibers.

At 2.5x, it allows fast, close-in shots, while at 10x it provides precise shot placement at substantial distances. This makes the NXS™ 2.5-10 x 32 one of our premiere all-around performers for shooters, hunters, and tactical applications.



Brice Folden, popular Canadian television host, took this spectacular 61.5" kudu bull in Namibia. He used a 2.5-10 x 32 NXS™ Compact, crediting its durability for surviving baggage handlers and a trip halfway around the world. "My Nightforce scope had not moved from point of impact at all," he said. "With 100% honesty I can say that Nightforce scopes are the finest I have ever hunted with."

Low mounting profile results in a sleek rifle/scope match that travels easily.

Outstanding NXS™ lenses provide light transmission and clarity superior to many riflescopes with much larger objectives.



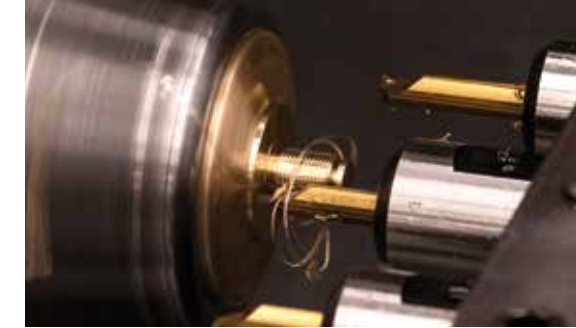
A full 100 MOA/27 Mil-Radian of elevation and windage adjustment.

The NXS™ 2.5-10 x 32 is offered with exposed tactical-style adjustments (shown) or capped, enclosed hunting-style adjustments.

Large exit pupil allows quick target acquisition and is forgiving of your eye position.

Reticle illumination is standard, with 11 settings from off to very bright.

Removable PTL™ (Power Throw Lever) allows instant magnification changes, even while wearing gloves.



There are good scopes. And small scopes. But very few good, small scopes.

Nightforce NXS™ Compacts prove that a riflescope needn't be large and awkward to be highly efficient. Not that building a small scope offering high performance is easy. Like a fine watch, tolerances, materials, and optical design must be as close to absolute perfection as humanly possible. Our Compacts were originally designed for—and are still in use by—the U.S. Special Operations community, whose demands are uncompromising. When you shoot with a Nightforce Compact, you won't be making any compromises, either.

All you'll be giving up is bulk, weight, and inconvenience.



Focal plane	Second
Objective outer diameter	40 mm
Exit pupil diameter	2.5x: 13.3 mm 10x: 3.3 mm
Field of view @100 yards/100 meters	2.5x: 44 ft 10x: 11 ft
Eye relief	95 mm/3.7"
Internal adjustment range (MOA/Mil)	e: 100 MOA w: 100 MOA e: 27 MIL-RADIAN w: 27 MIL-RADIAN
Click value	.250 MOA .1 MIL-RADIAN
Parallax adjustment	Fixed 125 yd
Tube diameter	30 mm/1.18"
Eyepiece outer diameter	40 mm
Overall length (in/mm)	12/305
Weight (oz/g)	19/539
Mounting length (in/mm)	5.7/145
PTL (Power Throw Lever)	Standard
Reticles available	MOAR™ MIL-R™ Mil-Dot
Illumination Elevation feature	External adj ZeroStop™ (optional)





NXS™ 2.5-10 x 42 COMPACT

PERHAPS THE MOST VERSATILE SCOPE ON EARTH.

It is hard to imagine a riflescope with more technology, suitable to more applications, than our NXS™ 2.5-10 x 42 Compact.

Side parallax adjustment. Digillum™ reticle illumination, with red and green reticle color options. Power Throw Lever. A choice of capped or exposed elevation and windage adjustments. Superb light transmission.

These capabilities are even more impressive when one considers that they are built into a compact, streamlined package of just 11.9 inches in length and 20.5 ounces in weight. The result is a riflescope adaptable to virtually any rifle platform... ideal for a mountain or safari rifle, or an ideal complement to your favorite AR-15/AR-10 rifle.

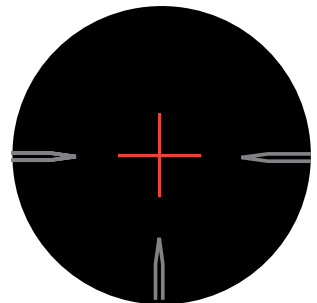
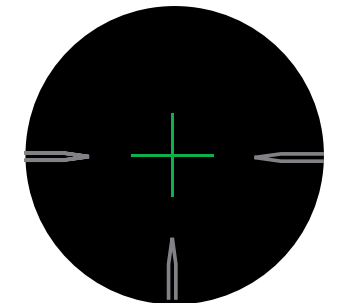
The NXS™ 2.5-10 x 42 Compact provides technology and performance far beyond its size. Actually, beyond most riflescopes of any size.



The IHR™ (International Hunting Reticle) is one of seven reticles offered in the NXS™ 2.5-10 x 42 Compact.

42mm objective lens provides outstanding performance in low-light situations, superior to that of many larger, bulkier riflescopes having 50mm or even 56mm objectives. It is due to the inherent quality of the glass and lens coatings used in every NXS™ riflescope.

The low mounting profile, small size and light weight of NXS™ Compact riflescopes make them an ideal choice for the hunter. They navigate easily through thick brush, fit comfortably in a scabbard, and provide a magnification range applicable to just about any game, anywhere in the world. Of course, they are also virtually indestructible.



Digillum™ provides both green and red illumination options, as well as settings compatible with night vision devices.

Your choice of exposed tactical-style windage and elevation adjustments or fully enclosed, capped hunting-style adjustments.

Just 11.9 inches in length, 20.5 ounces in weight.

Side parallax adjustment from 25 yards to infinity—one of the few 10x riflescopes on the market to have it.

Multiple intensities of reticle illumination allowed by our Digillum™ technology provide a precise aiming point under almost any lighting situation. You can choose between red or green illumination, from very dim to extremely bright.



Our PTL™ (Power Throw Lever) allows fast magnification changes, even while wearing heavy gloves.

Every ounce counts
 Todd Harney works with KUIU, makers of some of the most technically advanced ultralight mountain and expedition clothing and gear on the market. So, when he backpack hunted Idaho's Pioneer and Sawtooth mountains, he chose our NXS™ 2.5-10 x 42 Compact. "Very impressive," he said. "It's great to have found a scope with all the bells and whistles that's still small and light enough to fit our 'Ultralight' method of operation."



Focal plane	Second
Objective outer diameter	50 mm
Exit pupil diameter	2.5x: 15.5 mm 10x: 4.4 mm
Field of view @100 yards/100 meters	2.5x: 44 ft 10x: 11 ft 2.5x: 13.4 m 10x: 3.4 m
Eye relief	88 mm/3.5"
Internal adjustment range (MOA/Mil)	e: 100 MOA w: 100MOA e: 27 MIL-RADIAN w: 27 MIL-RADIAN
Click value	.250 MOA .1 MIL-RADIAN
Parallax adjustment	25 yd-∞
Tube diameter	30 mm/1.18"
Eyepiece outer diameter	40 mm
Overall length (in/mm)	11.9/302
Weight (oz/g)	20.5/581* 19/535**
Mounting length (in/mm)	5.1/130
PTL (Power Throw Lever)	Standard
Reticles available	IHR™ MOAR™ MIL-DOT LV™ MV™ HV™ MIL-R™ * Illuminated ** Non-illuminated
Illumination	Digillum™
Elevation feature	ZeroStop™



Nightforce NXS™, ATACR™ and B.E.A.S.T.™ riflescopes are built like tanks... literally. The Mil-Spec bonding agents we use to secure our lenses are virtually the same as used in the aiming system of an M-1 Abrams tank.



Mark Kuczka of Accurate Ordnance behind one of their Tactical Match Rifles. When it comes time to put a precision optic on their custom rifles, Accurate Ordnance's only recommendation is Nightforce. Photo courtesy of Richard King.



NXS 3.5-15 x 50

THEY DON'T COME ANY TOUGHER.

One of the original NXS™ models developed for use on military small arms, and proven in some of the most inhospitable environments on earth, the NXS™ 3.5-15 x 50 is a serious and highly versatile tool for both professional shooters and dedicated hunters.

It adapts comfortably to a number of different rifle platforms, from AR-style semi-automatics to tactical and bolt action hunting rifles. It is impervious to heavy recoil, and our files are full of stories from customers whose NXS™ 3.5-15 x 50 have survived abuses that would destroy most riflescopes.

A full 110 MOA/30 Mil-Radian of elevation travel allows adjustment to 1000 yards and beyond with ease. A Nightforce NXS™ is an investment in a lifetime of supremely reliable precision and accuracy... in a riflescope that will never let you down, wherever your travels take you.



110 MOA/30 Mil-Radian of elevation travel allow adjustment to 1000 yards and beyond.

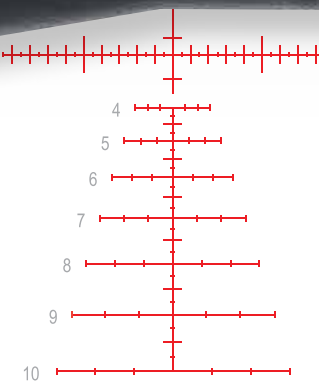
20 MOA/10 Mil-Radian per revolution means fast elevation and windage adjustments.



Side parallax adjustment from 50 yards to infinity.

Reticle illumination standard, adjustable from off through very dim to extremely bright.

Our unique Velocity™ 1000 reticle, tailored to the ballistic profile of your rifle and preferred bullet/caliber combination, is one of several available in the NXS™ 3.5-10 x 50.



See Nightforce NXS™ riflescopes used and abused in a brutal torture test at www.NightforceOptics.com

Focal plane	Second
Objective outer diameter	59 mm
Exit pupil diameter	3.5x: 14.3 mm 15x: 3.6 mm
Field of view @100 yards/100 meters	3.5x: 27.6 ft 15x: 7.3 ft
	3.5x: 8.4 m 15x: 2.2 m
Eye relief	99 mm/3.9"
Internal adjustment range (MOA/Mil)	e: 110 MOA w: 80 MOA e: 30 MIL-RADIAN w: 22 MIL-RADIAN
Click value	.250 MOA .1 MIL-RADIAN
Parallax adjustment	50 yd-∞
Tube diameter	30 mm/1.18"
Eyepiece outer diameter	43 mm
Overall length (in/mm)	14.7/373
Weight (oz/g)	30 /850
Mounting length (in/mm)	6.1/155
PTL (Power Throw Lever)	Accessory
Reticles available	MOAR™ MIL-R™ MIL-DOT LV.5™ HV™
Illumination	Analog
Elevation feature	ZeroStop™



Top-of-the-world trophy

Shaun Trudell and his father journeyed halfway around the world for a chance at ibex in the Tien Shan Mountains of Kyrgyzstan, at a lung-busting elevation of 14,000 feet.

Shaun used a HV.5 Velocity™ 1000 reticle in a NXS™ Nightforce 5.5-22 x 56 mounted on his .300 WSM. An accomplished long-range shooter, he had studied the effect the high altitude would have on his ballistics.

Buffeted by wind, he spotted his ibex at 500 yards, held on the Velocity™ reticle's 475 yard line and 15 mph offset, and squeezed. Shaun could see a bright red spot blossom right behind the animal's shoulder. He fired again, placing a second shot within four inches of the first, and the goat dropped in its tracks.

Shaun uses his rifles equipped with Nightforce riflescopes on a daily basis in his line of duty. He says he has come to trust that Nightforce riflescopes will perform when he needs them, regardless of the conditions.

He is a perfect example of how constant practice and familiarity with his equipment pays dividends when there is only one chance to make a perfect shot.



The NXS™ 5.5-22x complements any high-performance chambering like this GA Precision 6.5 RSAUM.

NXS 5.5-22 x 50/56

REALLY, REALLY LONG RANGE CAPABILITY.

Originally developed for the U.S. military's extreme long range shooting and hard target interdiction, both NXS™ 5.5-22 Nightforce models provide a broad magnification range, four inches of eye relief and 100 MOA of elevation travel. Combined with their extreme ruggedness and reliability, it makes them ideal for even the largest calibers. The slim profile is adaptable to a variety of mounting systems. Its superb resolution at high magnification expands the world of extended range shooting for the accomplished marksman.

Total elevation travel of 100 MOA/27.3 Mil-Radian, means that targets at almost any distance are within range. They are some of the most proven, most popular members of the world's toughest riflescope family.



Choose the 50mm objective for a more streamlined profile; or the 56mm objective for maximum performance in poor light.

The MOAR™ is one of several highly precise reticles offered with NXS™ 5.5-22x models.

100 MOA/27 Mil-Radian elevation adjustment puts targets at extreme distances within range.

Each revolution provides 20 MOA/10 Mil-Radian of adjustment.



Locking eyepiece allows user to set it and forget it for use in the field.

Side parallax adjustment from 50 yards to infinity.

Reticle illumination standard, adjustable from very dim to extremely bright.

	5.5-22 x 50	5.5-22 x 56
Focal plane	Second	Second
Objective outer diameter	59 mm	65 mm
Exit pupil diameter	5.5x: 9.1 mm 22x: 2.3 mm	5.5x: 10.2 mm 22x: 2.5 mm
Field of view @100 yards/100 meters	5.5x: 17.5 ft 22x: 4.7 ft	5.5x: 17.5 ft 22x: 4.7 ft
Eye relief	95 mm/3.7"	99 mm/3.9"
Internal adjustment range (MOA/Mil)	e: 100 MOA w: 60 MOA e: 27 MIL-RADIAN w: 16 MIL-RADIAN	e: 100 MOA w: 60 MOA e: 27 MIL-RADIAN w: 16 MIL-RADIAN
Click value	.250 MOA .1 MIL-RADIAN	.250 MOA .1 MIL-RADIAN
Parallax adjustment	50 yd-∞	50 yd-∞
Tube diameter	30 mm/1.18"	30 mm/1.18"
Eyepiece outer diameter	43 mm	43 mm
Overall length (in/mm)	15.1/384	15.2/386
Weight (oz/g)	31/879	32/907
Mounting length (in/mm)	6.6/168	6.6/168
PTL (Power Throw Lever)	Accessory	Accessory
Reticles available	MOAR™ MOAR-T MIL-R™ MIL-DOT	MOAR™ MOAR-T MIL-R™ MIL-DOT HV.5™ HVM™ HVM.5™ UHV™ UHV.5
Illumination	Analog	Analog
Elevation feature	ZeroStop™	ZeroStop™



Nightforce Materials Manager Mark Cochran with his superb Idaho bull elk, taken with Mark's NXS™ 5.5-22 x 50.



NXS 8-32 x 56

YOU CAN ALMOST SEE THE FUTURE.

The NXS™ 8-32 x 56 is a highly successful combination of an ultra-reliable, supremely rugged riflescope with a high-magnification target scope. It is the perfect choice for precise and repeatable engagements of targets at extreme ranges under extreme conditions.

It has been the choice of dozens of winners of the most demanding, prestigious competitions in the world, including several Wimbledon Cups.

Nightforce ZeroStop™ and reticle illumination are standard equipment, as is 65 MOA/18 Mil-Radian of elevation travel (20 MOA/10 Mil-Radian per revolution). The NXS™ 8-32 x 56 will deliver your rounds on target, no matter how far away that target might be.



Choice of a champion

When Derek Rodgers shows up to shoot, he does so to win. Derek is a multi-time national champion and national record holder in F-Class competition. He is the only person to have won both Open and F-T/R National Championship titles... each with Nightforce NXS™ riflescopes.

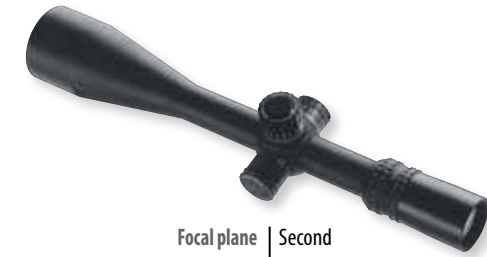


The Major's elk

It took Major David "Elmer" Bailey 13 years to get this 340-point bull elk. Those are the years that passed between when he saw this elk herd and when he was finally able to make his dream a reality. His NXS™ 8-32 x 56 allowed him to identify the huge animal and follow it in the last 30 minutes of shooting light. One shot put it down at well over 500 yards. "Your scope is awesome," Major Bailey said. We feel the same way about his trophy.

Wimbledon winner

Thomas Colyer won the 2014 Wimbledon Cup at Camp Perry, using a Nightforce NXS™ 8-32 x 56 atop a 7mm RSAUM. His score for the match was 200-12X, and he had a 100-4x in the shootoff to win. Our congratulations to Thomas for taking one of shooting's most prestigious awards.



Focal plane	Second
Objective outer diameter	65 mm
Exit pupil diameter	8x: 7.0 mm 32x: 1.8 mm
Field of view @100 yards/100 meters	8x: 12.1 ft 32x: 3.1 ft 8x: 3.7 m 32x: 1 m
Eye relief	98 mm/3.8"
Internal adjustment range (MOA/Mil)	e: 65 MOA w: 45 MOA e: 18 MIL-RADIAN w: 12 MIL-RADIAN
Click value	.250 MOA .1 MIL-RADIAN
Parallax adjustment	50 yd-∞
Tube diameter	30 mm/1.18"
Eyepiece outer diameter	43 mm
Overall length (in/mm)	15.9/404
Weight (oz/g)	34/964
Mounting length (in/mm)	6.7/170
PTL (Power Throw Lever)	Accessory
Reticles available	MOAR™ MOAR-T™ NP-2DD™ MIL-R™ MIL-DOT
Illumination	Analog
Elevation feature	ZeroStop™



65 MOA/18 Mil-Radian elevation adjustment means if you can see it, it is probably in range.

Each revolution of the Hi-Speed adjustment provides 20 MOA/10 Mil-Radian of elevation.



The many reticle options available in the NXS™ 8-32x56 are indicative of the extreme versatility of this riflescope. For example, the MOAR-T™ shown below thins the lines of the MOAR™, our most popular reticle, to .0625 MOA for small targets at extreme ranges.

Side parallax adjustment from 50 yards to infinity.

Reticle illumination standard, adjustable from very dim to extremely bright.

It might come as a shock to the shooter who has just invested a small fortune in a fine rifle, but the fact is that a Nightforce riflescope is built to tolerances vastly more precise than those found in the best rifles money can buy. Why? Because even the slightest error in a riflescope's construction will be magnified

dramatically as range and power settings increase; and evident in a constantly shifting zero and frustrating lack of repeatability. Less precise riflescopes can—and will—fail to match the potential of a well-made firearm. With Nightforce, whatever your rifle is capable of, your riflescope will stay a step ahead.

COMPETITION™ 15-55 x 52

DON'T JUST COMPETE. WIN.



Is this the ultimate riflescope for the serious competitor?

The US F-Class rifle team thinks so, selecting the Competition™ 15-55 x 52 for their campaign to the 2017 F-Class World Championships. Some, in fact, have called it the “perfect F-Class riflescope.”

Since it was introduced, it has been a major player—and winner—at the world championship level.

Is it perfect? We'll let you—and your scores—be the judge.



ED glass provides superb color contrast and exceptional resolution, capable of resolving the smallest target at extreme distances.

92% light transmission, approaching the physical limits of what is obtainable in any riflescope.



Bryan breezes to F-Class championships

Despite tricky weather conditions, including changing winds up to 20 mph, Bryan Litz topped a strong F/TR field to win both the Mid-Range and Long-Range National Championships held at the Ben Avery Shooting Facility in Phoenix, Arizona in October, 2015. Mid-Range matches were shot at 300, 500 and 600 yards; the Long-Range matches were shot at 1000 yards. Bryan, a member of the Michigan F/TR team and the US National Rifle Team, used a Competition™ 15-55 x 52 to earn his hard-fought victories. Our congratulations to Bryan for an outstanding performance.

Robust internal mechanics and extremely fine tolerances ensure a lifetime of repeatability.

Just 27.8 ounces, eliminating concerns over weight restrictions.



Every four years, Irish and American shooters gather to maintain a tradition that goes back over a hundred years. In 2015, the two national rifle teams got together to compete for the Creedmoor Cup. The modern iteration of this competition is held in the F-Class discipline, but its origins can be traced back to the late 1800s as a test of the best shooters and equipment each country has to offer. The US team led a victorious campaign at the Midlands National Shooting Centre in Tullamore, Ireland, and the overwhelming riflescope of choice was Nightforce.



Nightforce is proud to be a long-time supporter of the U.S. F-Class rifle teams. We are the official riflescope of the F-Open and F-T/R national teams.

New F/TR national record

Jade Delcambre shot a new F-Class 1000-yard F/TR NRA national record with a score of 200-13X during the 2015 F-Class National Championships in Phoenix, Arizona. Jade's riflescope was a Nightforce Competition™ 15-55 x 52.



A sunshade and lens covers are included.



Focal plane	Second
Objective outer diameter	61 mm
Exit pupil diameter	15x: 3.54 mm 55x: .93 mm
Field of view @100 yards/100 meters	15x: 6.91 ft 55x: 1.83 ft 15x: 2.10 m 55x: 0.55 m
Eye relief	80-90 mm/3.15"
Internal adjustment range (MOA)	e: 55 MOA w: 50 MOA
Click value	.125 MOA
Parallax adjustment	25 yd—∞
Tube diameter	30 mm/1.18"
Eyepiece outer diameter	43 mm
Overall length (in/mm)	16.2/411
Weight (oz/g)	27.87/790
Mounting length (in/mm)	6.4/162
Reticles available	CTR-2™ CTR-3™ DDR-2™ FCR-1™
Illumination	Non-illuminated
Elevation feature	ZeroStop™ (standard)

High visibility, easy-to-read engraving.

ZeroStop™
NIGHTFORCE

ZeroStop™ and Hi-Speed™ adjustments are standard.

Side parallax adjustment from 25 yards to infinity.

1/8" (.125 MOA) adjustments, positive and repeatable over a lifetime of use.

Four reticles offered, each designed for maximum precision on small targets at extreme ranges.

Fast-focus eyepiece.



Walt Berger, founder of Berger Bullets, likes what he sees through the Competition™ Fixed 42 x 44.



Objective and eyepiece covers and screw-in lens shade are included.



Highest quality internal mechanics are impervious to recoil.

A mere 20.7 ounces in weight, making it ideal for any class of competitive shooting.

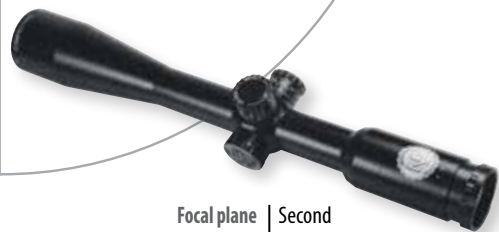


Rory rules! Rory Jacobs is the three-time Junior Shooter of the Year in the IBS 600 yard discipline. Not only does Rory enjoy long-range benchrest shooting, he also loves to hunt. Here, Rory is putting his Competition™ through its paces.



Miguel reigns in Spain

Sr. Miguel Angel Calvete has been a driving force behind the creation of Spain's first F-Class team, and was the group's charter member. Miguel was runner-up in Spain's first F-Class Open. He is also the Nightforce distributor in Spain, which shows that he knows good shooting and good optics both. Our thanks to Miguel for all he does for our industry.



In the fast-paced world of competitive shooting, keeping things simple is a recipe for winning. Our uncluttered, precise CTR-3™ reticle adheres to that principle. Nothing stands between you and your target, allowing ultimate concentration.

COMPETITION™ FIXED 42 x 44

A LIGHTWEIGHT HEAVYWEIGHT.

When weight is critical, yet maximum performance is essential, our newest riflescope—purpose-built for the competitive shooter—is a game-changer.

By eliminating the inherent weight of a variable-power mechanism, we were able to build the Competition™ 42 x 44 at just 20.7 ounces. . . without sacrificing the stunning images produced by ED glass and the robust mechanics for which we are known.

As with every Nightforce riflescope, its adjustments (1/8 MOA, .125") track true and without backlash. Side parallax adjusts to under 10 meters. The eyepiece focuses the glass-etched reticle quickly.

The game has changed. The Competition™ Fixed 42 x 44 is making the rules.



ED glass provides exceptional resolving power and color contrast, bringing clarity to the smallest target at extreme ranges.

44 mm objective lens gives excellent light transmission without adding unnecessary weight.

High visibility, easy-to-read engraving.

1/8 MOA (.125") adjustments have no backlash and are repeatable over a lifetime of hard use.

The close focus ability of the 42x (10 meters to infinity via its side parallax adjustment) makes it highly applicable for rimfire and air gun competitions, as well as longer range applications.

Two reticles offered, each designed for maximum precision on small targets.

Fast-focus eyepiece.

Focal plane	Second
Objective outer diameter	53 mm
Exit pupil diameter	1.05 mm
Field of view @100 yards/100 meters	2.87 ft/.87 m
Eye relief	88mm/3.46"
Internal adjustment range	e: 45 MOA w:35MOA
Click value	.125 MOA
Parallax adjustment	10m/10.9 yd-∞
Tube diameter	30 mm/1.18"
Eyepiece outer diameter	43 mm
Overall length (in/mm)	15.2/386
Weight (oz/g)	20.7/587
Mounting length (in/mm)	6.2/157
Reticles available	CTR-2™ CTR-3™
Illumination	None
Elevation feature	Finger-adjustable

PRECISION BENCHREST

8-32 x 56 / 12-42 x 56

A PROVEN WINNER ON ANY RANGE.

Since 1992, Nightforce riflescopes have won more matches and set more records in long-range competition than any other brand. The Precision Benchrest family can be traced to the very first Nightforce riflescopes, attesting to the perfection of their design proven over two decades.

Both the 8-32x and 12-42x feature 56mm objectives and multi-coated lenses, resulting in superb resolution and the ability to distinguish the finest details at long ranges. Unlike many high-magnification scopes, you will find Precision Benchrest riflescopes provide crisp, brilliant images across their entire magnification ranges.

A favorite among .50 BMG Benchrest shooters, our Precision Benchrest models are proven to be some of the most rugged riflescopes available.



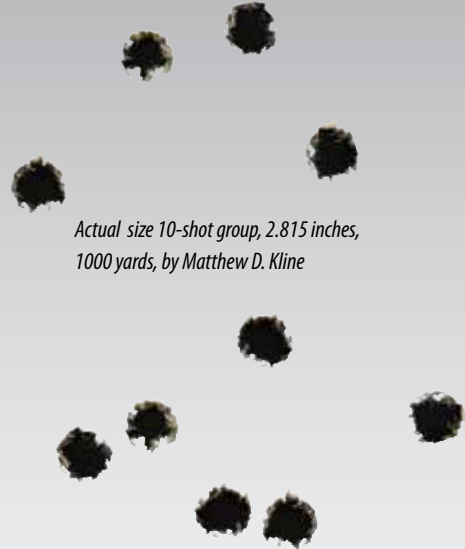
A new champion is crowned
Emil Kovan won the 2014 F-Open National Championship with help from his Nightforce rifle scope.



World record shattered!

On September 12, 2010, Matthew D. Kline broke the three-inch barrier for the first time with a new 1000 yard 10-shot Heavy Gun World Record of 2.815 inches, 100-4x. He used a 300 WSM topped with a Nightforce 8-32 x 56 Precision Benchrest scope.

Just to prove he wasn't done, in 2012 Matthew won the score at the World Open in Pennsylvania and the IBS Nationals in West Virginia, both in Heavy Gun.



Actual size 10-shot group, 2.815 inches, 1000 yards, by Matthew D. Kline



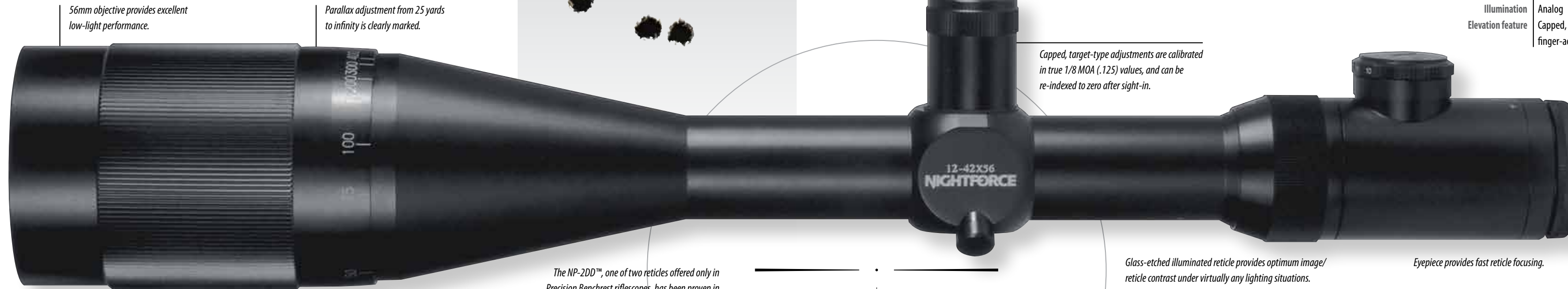
Paul scores in Pennsylvania

In May, 2013, Paul Martinez established a new 10-shot record for the 17 lb. Light Gun Class at Williamsport, shooting a fantastic 3.505" group at 1000 yards, scoring 99-6x. He used a .300 WSM topped with a Nightforce 12-42 x 56 Precision Benchrest.



The test of time

In a sport where records are broken almost daily, Joel Pendergraft's 2009 1000-yard world record of 3.04" remained unchallenged for several years. "I can honestly say Nightforce is in a league of its own," said Joel. Obviously, so is he.



56mm objective provides excellent low-light performance.

Parallax adjustment from 25 yards to infinity is clearly marked.

Capped, target-type adjustments are calibrated in true 1/8 MOA (.125) values, and can be re-indexed to zero after sight-in.

The NP-2DD™, one of two reticles offered only in Precision Benchrest riflescopes, has been proven in countless competitions around the world.

Glass-etched illuminated reticle provides optimum image/reticle contrast under virtually any lighting situations.

Eyepiece provides fast reticle focusing.

8-32 x 56		12-42 x 56	
Focal plane	Second	Focal plane	Second
Objective outer diameter	69 mm	Objective outer diameter	69 mm
Exit pupil diameter	8x: 5.6 mm 32x: 1.7 mm	Exit pupil diameter	12x: 4 mm 42x: 1.4 mm
Field of view @100 yards/100 meters	8x: 9.4 ft 32x: 3.1 ft 8x: 2.9 m 32x: 1 m	Field of view @100 yards/100 meters	12x: 6.7 ft 42x: 2.3 ft 12x: 2 m 42x: 0.7 m
Eye relief	75 mm/2.9"	Eye relief	75 mm/2.9"
Internal adjustment range (MOA)	e: 50 MOA w: 50 MOA	Internal adjustment range (MOA)	e: 40 MOA w: 40 MOA
Click value	.125 MOA	Click value	.125 MOA
Parallax adjustment	25 yd-∞	Parallax adjustment	25 yd-∞
Tube diameter	30 mm/1.18"	Tube diameter	30 mm/1.18"
Eyepiece outer diameter	43 mm	Eyepiece outer diameter	43 mm
Overall length (in/mm)	16.6/422	Overall length (in/mm)	17/432
Weight (oz/g)	36/1021	Weight (oz/g)	36/1021
Mounting length (in/mm)	5.5/140	Mounting length (in/mm)	5.9/150
PTL (Power Throw Lever)	NA	PTL (Power Throw Lever)	NA
Reticles available	NP-R2™ NP-2DD™	Reticles available	NP-R2™ NP-2DD™
Illumination	Analog	Illumination	Analog
Elevation feature	Capped, finger-adjustable	Elevation feature	Capped, finger-adjustable

"If you go to a benchrest meet, or an NRA F-Class shoot, or a sniper school, or a range where the .50 BMGs bellow and thunder, you will see Nightforces aplenty. In fact, among this crowd, there are two kinds of shooters—those who have Nightforces and those who want them."
—David E. Petzel, rifle field editor, Field & Stream



4-14 x 50 F1

AFFORDABLE FIRST FOCAL PLANE PERFORMANCE.



"SHV"™ stands for "ShooterHunterVarminter,"™ indicative of the remarkable versatility and many applications of our SHV™ riflescopes . . . from target shooting to all-around hunting to fast-paced varmint shooting.

Since their introduction, Nightforce SHV™ riflescopes have won awards (two *Outdoor Life* Editor's Choice honors) and have won the hearts of shooters who want Nightforce quality in a simple, more affordable package.

Now, those who prefer the advantages of first focal plane reticle placement have a winner in our SHV™ 4-14 x 50 F1. Exposed ZeroSet™ adjustments, in either .250 MOA or .1 Mil-Radian increments, are standard . . . as is a center-illuminated reticle.

Streamlined, versatile, and a handsome match to almost any rifle, our newest SHV™ also matches up beautifully with just about any budget.



With the popularity of our F1 (first focal plane) optics, it made sense to create a riflescope with F1 technology for our popular SHV™ family. The 4-14x magnification range is suitable to a variety of tasks, from hunting to tactical competitions, from rimfire trainers to general shooting. Go ahead, treat yourself. You will not be disappointed.



Focal plane	First
Objective outer diameter	59 mm
Exit pupil diameter	4x: 10.8 mm 14x: 3.3 mm
Field of view @100 yards/100 meters	4x: 25.1 ft 14x: 7.4 ft 4x: 7.65 m 14x: 2.25 m
Eye relief	70-80 / 2.75"-3.15"
Internal adjustment range (MOA/Mil)	e: 90 MOA w: 70 MOA e: 27 MIL-RADIAN w: 19 MIL-RADIAN
Click value	.250 MOA .1 MIL-RADIAN
Parallax adjustment	25 yd-∞
Tube diameter	30 mm/376"
Eyepiece outer diameter	43.6 mm
Overall length (in/mm)	14.8/390
Weight (oz/g)	30/850
Mounting length (in/mm)	6.1/155
PTL (Power Throw Lever)	Accessory
Reticles available	MOAR™ (F1) MIL-R™ (F1)
Illumination	Standard
Elevation feature	ZeroSet™



Exposed adjustments are offered in .250 MOA or .1 Mil-Radian increments. Our ZeroSet™ technology allows a quick return to your preset zero point, no matter how many elevation adjustments you have made.



Your choice of our exclusive MOAR™ minute-of-angle reticle or our sophisticated MIL-R™ Mil-Radian reticle, each designed for maximum precision and first focal plane placement.

Side parallax adjustment focuses from 25 yards to infinity.

Center-illuminated reticle is standard.

A first focal plane reticle remains in the same visual proportion to the target across the scope's entire magnification range, making it especially appropriate with rangefinding reticles. It has distinct advantages in high-stress situations and when encountering different targets at multiple ranges.

Fast-focus eyepiece.



Outdoor Life magazine honored our SHV™ 3-10 x 42 with an Editor's Choice award in optics for 2015—the second straight year a Nightforce SHV™ riflescope received this prestigious award.



The SHV™ 3-10 x 42 is light in weight and streamlined, making it an excellent choice for smaller rifles.



The 3x to 10x magnification range is applicable from close ranges in dense cover to wide-open spaces where long shots are required. There are few places in the world where the SHV™ 3-10 x 42 will not excel.



Focal plane	Second
Objective outer diameter	50 mm
Exit pupil diameter	3x: 10.7 mm 10x: 4.4 mm
Field of view @100 yards/100 meters	3x: 34.9 ft 10x: 11 ft 3x: 10.6 m 10x: 3.4 m
Eye relief	88 mm/3.46"
Internal adjustment range (MOA)	e: 90 MOA w: 80 MOA
Click value	.250 MOA
Parallax adjustment	25 yd—∞
Tube diameter	30 mm/1.18"
Eyepiece outer diameter	40 mm
Overall length (in/mm)	11.6/295
Weight (oz/g)	20.8/590
Mounting length (in/mm)	5.1/130
PTL (Power Throw Lever)	NA
Reticles available	IHR™ MOAR™
Illumination	Non-illuminated
Elevation feature	Capped, finger-adjustable

SHV 3-10 x 42

ANY GAME, ANY TIME, ANYWHERE.

The most affordable riflescope we make is also one of the most versatile. Compact and light in weight (under 21 ounces), the SHV™ 3-10 x 42 matches beautifully with a variety of rifles. Its magnification range is ideal for almost any game, anywhere in the world. Like all our award-winning SHV™ riflescopes, it has side parallax adjustment allowing you to make quick corrections without removing your eye from your target. Its outstanding glass provides bright, crisp images and excellent resolution. If you want to tell your friends you paid a lot more, go ahead. They'll believe you.



42mm objective provides excellent low-light performance while maintaining a low mounting profile.

Side parallax adjustment focuses from 25 yards to infinity.

90 MOA of elevation adjustment. Capped, hunting-style elevation and windage adjustments.

Clear, easy-to-read magnification markings.

Fast-focus eyepiece.



SHOOTER HUNTER ARMORER
SHV™ 4-14 x 56

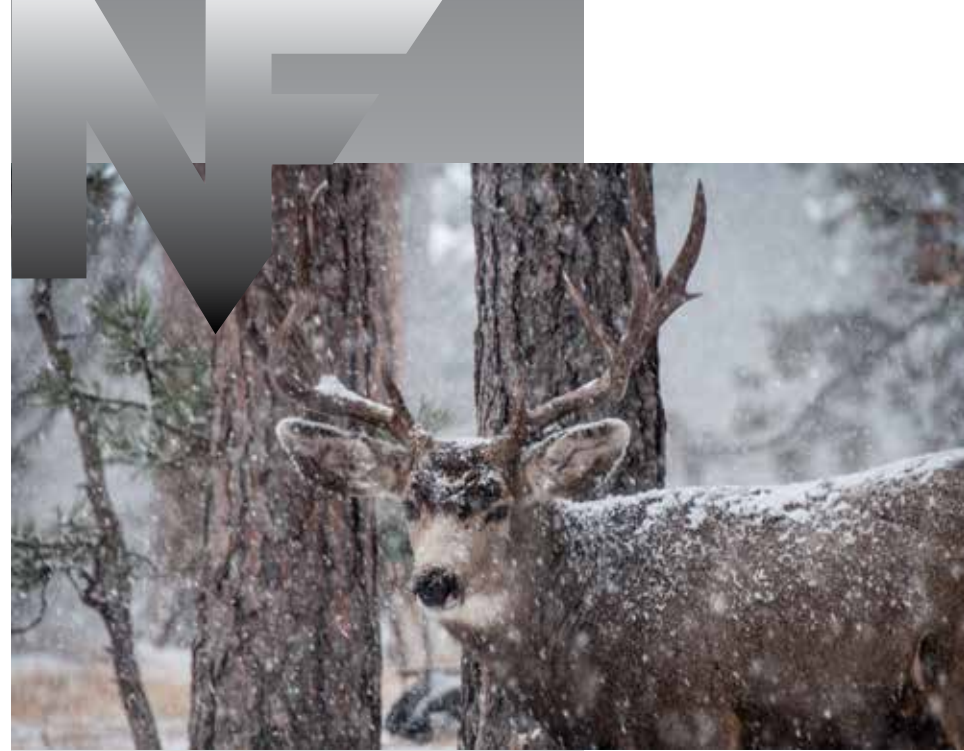
**WE CUT NO CORNERS.
 ONLY THE COST.**

This, our first SHV™, started a revolution in affordable riflescopes.

By limiting some options, offering simpler controls, and using a less complex manufacturing process, we were able to build a riflescope worthy of the Nightforce name in every regard... while putting Nightforce performance within reach of more dedicated hunters and shooters.

Not that it's shy on features. Side parallax control. A choice of two of our most popular reticles, illuminated or non-illuminated. And clarity, brightness and resolution you must see to appreciate.

The SHV™ 4-14 x 56 will outperform any riflescope in its price range. And frankly, many that cost much, much more.



Few riflescopes are more adaptable to a wider range of hunting situations than the SHV™ 4-14 x 56. Its magnification range is equally at home in dense hardwood forests and wide-open prairies. Like all Nightforce riflescopes, it is unfazed by bad weather, and its 56mm objective excels in poor light.

In just its first year of production, the SHV™ 4-14 x 56 was selected as Editor's Choice by Outdoor Life magazine, citing its exceptional performance and unparalleled value.



56 mm objective lens lets you hunt earlier and later.

30mm body-tube machined from solid bar stock for a lifetime of use.

Side parallax adjustment focuses from 25 yards to infinity.

Illuminated or non-illuminated reticles offered. The illuminated version has 11 intensity settings, from off to very bright.

100 MOA of elevation adjustment.

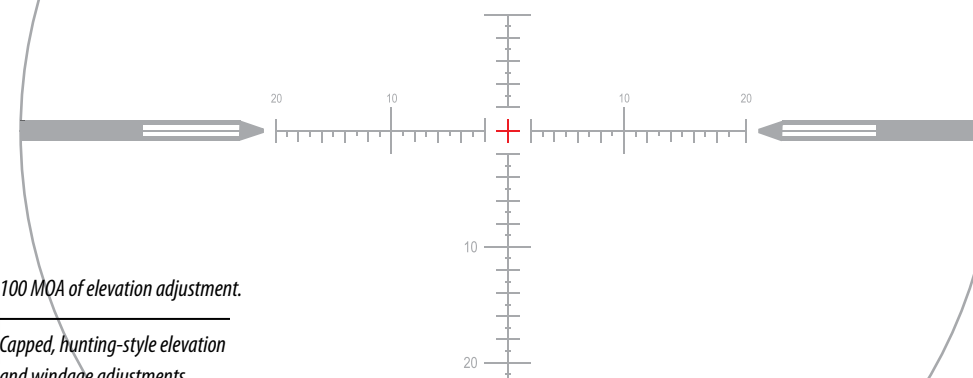
Capped, hunting-style elevation and windage adjustments.

Independent magnification ring.

Fast-focus eyepiece.



Illuminated or non-illuminated reticles are available in the SHV™ 4-14 x 56 and 5-20 x 56. Illuminated models have 11 brightness settings, from off to very bright. Illumination turns off between each setting. This lets you preset the optimum brightness level for your lighting conditions, turn off illumination with a slight rotation of the dial to save battery power, and instantly restore your selected setting when ready to shoot.



Focal plane	Second
Objective outer diameter	65 mm
Exit pupil diameter	4x: 12.0 mm 14x: 3.6 mm
Field of view @100 yards/100 meters	4x: 24.9 ft 14x: 7.3 ft 4x: 7.59 m 14x: 2.23 m
Eye relief	80-90 mm/3.15-3.54"
Internal adjustment range (MOA)	e: 100 MOA w: 70 MOA
Click value	.250 MOA
Parallax adjustment	25 yd-∞
Tube diameter	30 mm/1.18"
Eyepiece outer diameter	43 mm
Overall length (in/mm)	14.8/376
Weight (oz/g)	26.9/763* 28.5/808**
Mounting length (in/mm)	5.79/147
PTL (Power Throw Lever)	Accessory
Reticles available	IHR™ MOAR™
Illumination	Optional
Elevation feature	Capped, finger-adjustable

* Non-Illuminated
 ** Illuminated

PUNCH HOLES IN YOUR TARGET. NOT IN YOUR BUDGET.



Can a riflescope provide outstanding performance at extended ranges without putting a major hurt on your bank account? One can.

The SHV™ 5-20 x 56 gives you excellent clarity, crispness and color contrast throughout its entire magnification range... unlike lesser riflescopes characterized by image quality that deteriorates as magnification increases.

We kept it affordable by keeping it simple. In place of bells and whistles, you get a riflescope of remarkable durability and performance, with no shortage of features.

You can bank on it.



Our IHR™ (International Hunting Reticle, shown here) and the MOAR™ are both available in illuminated or non-illuminated versions.



56mm objective provides excellent low-light performance.

How to build a less expensive riflescope:

In recent years, many well-known manufacturers have brought "affordable" riflescopes to the market, hoping to attract buyers to a cheaper product with a high-end name attached. Many shooters have been less than thrilled with such purchases.

There are only two ways to lower the cost of a riflescope. One is to reduce the quality of its glass, its components, and/or its construction.

The second way is to build it more simply, with fewer options and only one basic configuration, while keeping the quality high. It is not unlike buying a new car; options run up the price, but have no influence on the inherent quality of the vehicle itself. In developing our SHV™ series, we chose the second approach. Many years from now, when your SHV™ is still performing like new, you'll know why.



Maybe we should call it SHV-FT/R.

Justin Bertino is no amateur. He shoots FT/R competitively, favoring Nightforce NXS™ and Competition™ riflescopes. When he needed a scope for a new hunting rifle, he considered the SHV™ 5-20 x 56 because of its reasonable cost. "I was worried," Justin said, "about [it] not holding up to my standards after using these high-end scopes." Trusting the Nightforce name, he ordered a 5-20 with MOAR™ reticle.

"Started with an elk hunt in Montana," Justin reported. "Had the rifle strapped down on our ATV and that thing took a BEATING! Below zero for half our hunt, it rained and snowed the whole time. My rifle got so cold the barrel looked white from the steel freezing. I tried moving the turrets to see if

they were frozen solid... I can't believe they were able to turn when my barrel looked like an icicle.

"We were unsuccessful on elk, but headed to eastern Montana to deer hunt. With my new optics I was able to shoot a mule deer at 740 yards... he dropped in one shot as the scope was dead on. This after a week of torture in the mountains.

"We were walking some tall grass in a valley, when a coyote jumped up. I watched him run through the scope... he stopped at 200 yards and I took an offhand shot that knocked him five feet back.

"Couldn't have had a better hunting trip, and the new scope and rifle held up to my standards, even coming from the F-Class world of optics."

Fully enclosed hunting-style elevation and windage adjustments in .250 MOA increments.

Nightforce ZeroSet™ technology provides a quick return to your pre-set zero point regardless of your elevation adjustments in the field.



A full 80 MOA of elevation travel allows adjustment for targets at long ranges.

Side parallax adjustment focuses from 25 yards to infinity.

Illuminated or non-illuminated reticles offered. The illuminated version has 11 intensity settings, from off to very bright.

Your choice of IHR™ (International Hunting Reticle) or MOAR™ minute-of-angle reticle.

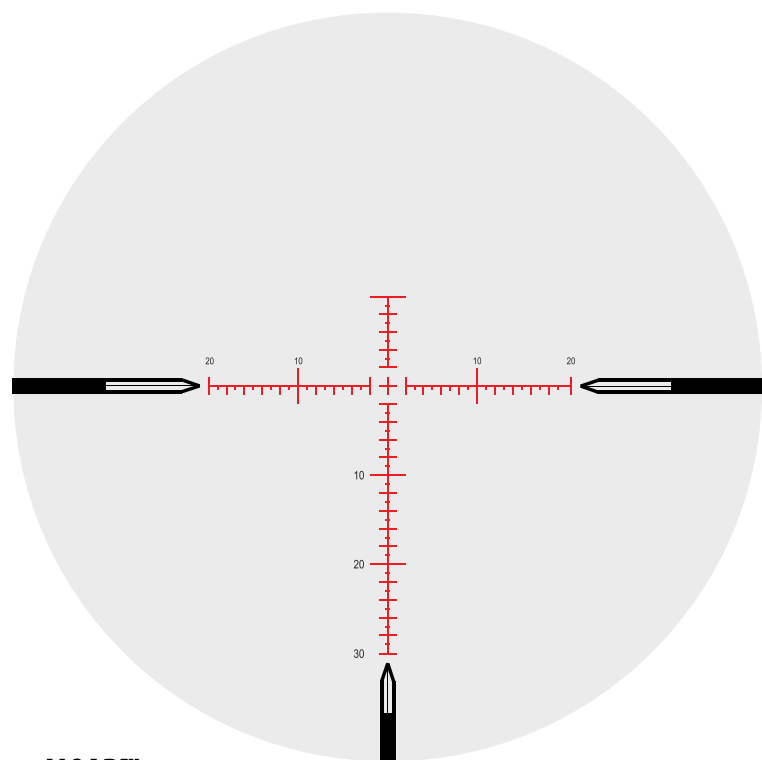
Fast-focus eyepiece.



Focal plane	Second
Objective outer diameter	65 mm
Exit pupil diameter	5x: 8.7 mm 20x: 2.5 mm
Field of view @100 yards/100 meters	5x: 17.9 ft 20x: 5.0 ft 5x: 5.46 m 20x: 1.52 m
Eye relief	80-90 mm/3.15-3.54"
Internal adjustment range (MOA)	e: 80 MOA w: 50 MOA
Click value	.250 MOA
Parallax adjustment	25 yd-∞
Tube diameter	30 mm/1.18"
Eyepiece outer diameter	43 mm
Overall length (in/mm)	15.2/386
Weight (oz/g)	29.1/825* 30.5/865**
Mounting length (in/mm)	6.5/165
PTL (Power Throw Lever)	Accessory
Reticles available	IHR™ MOAR™
Illumination	Optional
Elevation feature	ZeroSet™

* Non-Illuminated
 ** Illuminated

A RETICLE FOR EVERY REASON. AND EVERY SEASON.



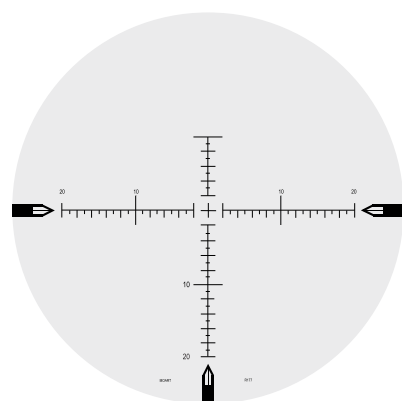
MOAR™

The intelligent Nightforce MOAR™ reticle is the intelligent choice for minute of angle (MOA) shooters. A floating center crosshair two MOA wide and two MOA tall provides a precise aiming point, while one-MOA elevation and windage spacings provide accurate holdoffs and rangefinding, compared to ordinary reticles with coarser markings.

The Nightforce MOAR™ has thicker line subtensions than our traditional reticles, making it easier to see across any background or target. Elevation and windage lines are marked at 10 MOA intervals.

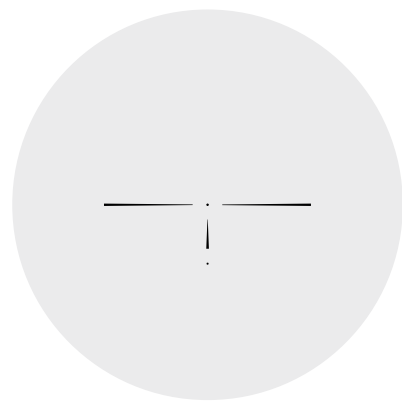
Shooters will find the 3, 6 and 9 o'clock posts help draw the eye to center for faster target acquisition. The MOAR's intelligence and versatility make it ideal for almost any shooting application. It has helped establish new levels of precision and ease of use for the long-range shooter.

The MOAR™ is available in first and second focal plane Nightforce riflescopes. Please visit NightforceOptics.com to determine the version offered in your rifle scope of choice.



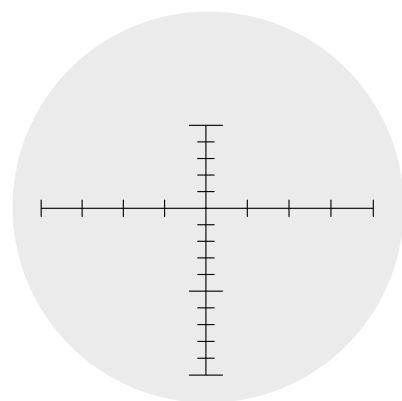
MOAR-T™

This finer version of our MOAR™ reticle allows even more precision at extreme ranges. With a line thickness of .0625 MOA, the MOAR-T™ will allow you to squeeze every possible ounce of precision from your rifle. *Center Illuminated only.*



NP-2DD™

Unobstructed field of view and precise MOA reference markings serve the varmint hunter and benchrest competitor equally well. Simple and effective.



NP-R2™

A Nightforce classic, the NP-R2™ provides 2 MOA elevation and 5 MOA windage increments. This reticle has proven popular for most long range rifle applications. *Available in Precision Benchrest models only.*

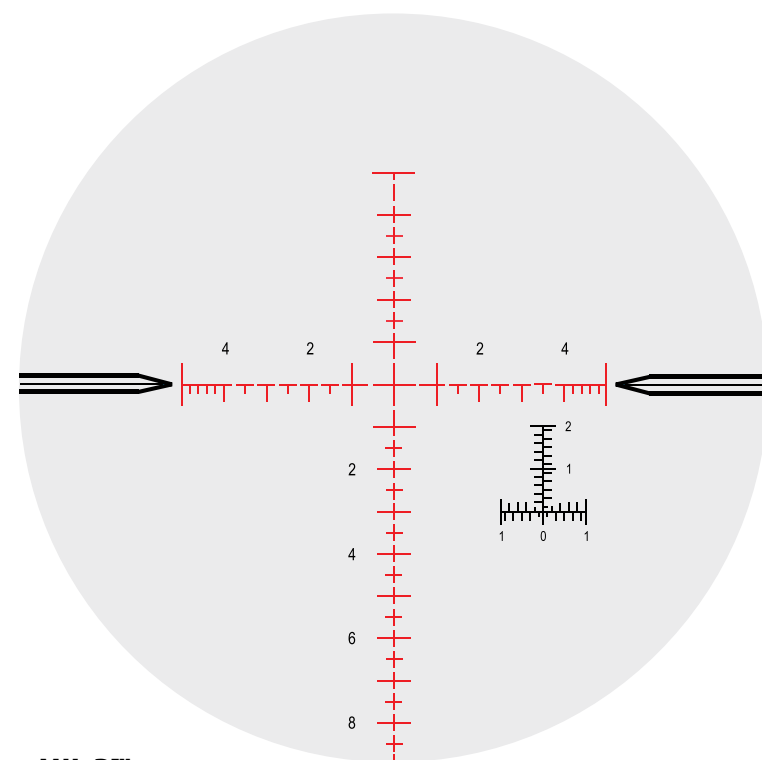
The mathematics of Minute of Angle

The incremental amount denoted as a minute of angle (MOA) is an angular system of measurement.

A true MOA is equal to one-sixtieth of one degree, which is 1.047" at 100 yards.

As an angular unit of measurement, the value is not an equal, linear amount at all distances. As such, 1 MOA is 1.047" at 100 yards, 2.094" at 200 yards, 3.131" at 300 yards, etc.

Many Nightforce reticles are designed in several variations tailored to specific riflescope families and first or second focal plane construction. Reticle illumination can also vary from model to model, and some are offered only in non-illuminated versions. Visit our website at NightforceOptics.com to determine the exact reticle configurations available in the riflescope you are considering.



MIL-R™

When precision ranging, accurate holdoffs and quick followup shots are needed by a Mil-Radian shooter, the MIL-R™ delivers on every level.

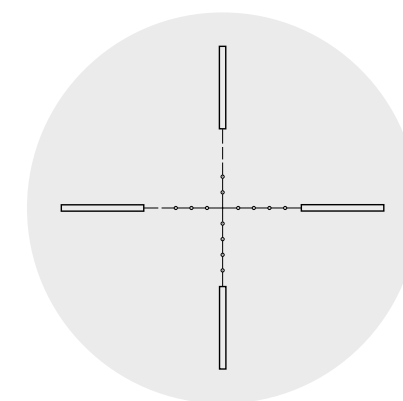
It was designed for speed and intuitiveness. The clean, uncluttered floating center crosshair is precisely 1 Mil in width, supported by whole, half, .2 and .1 Mil-Radian graduations.

Numerical indicators provide quick reference to Mil-Radian spacing under stressful conditions.

Unique to the MIL-R™ is the inverted "T" Mil-Radian ranging scale. This allows the shooter to easily and logically estimate as low as .05 Mil-Radians if needed.

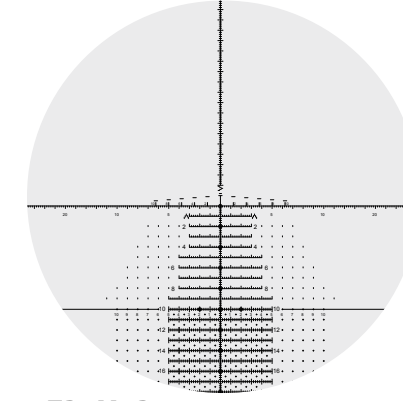
It's fast, precise and smart. Almost as smart as the shooter who uses it.

The MIL-R™ is available in first and second focal plane Nightforce riflescopes. Please visit NightforceOptics.com for more information on the version available in your preferred riflescope.



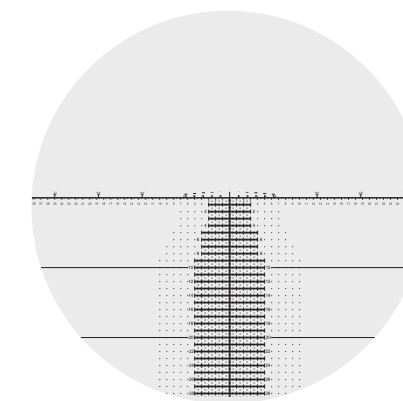
MIL-DOT

The "grandfather of smart reticles" still has plenty of life left in him, especially the Nightforce version. See-through dots and posts do not obscure the target, allowing more precise range estimation and hold offs. Space between the dots equals 1 Mil-Radian.



TReMoR3

Designed for speed at nearly any distance, and especially helpful in windy conditions with field-proven wind dots. The *Accuracy 1st Speed Shooting Formula* is built right into the reticle, and its pattern easily allows .1 Mil-Radian holds or range estimates. *First focal plane only.*



H-59

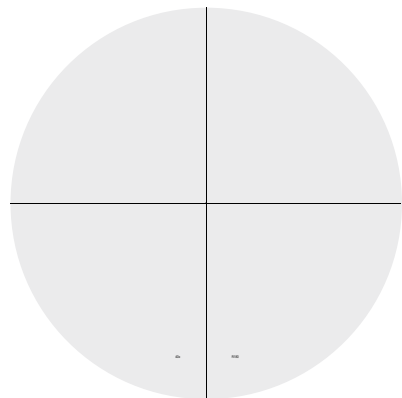
The H59 is a rapid engagement reticle designed for the field. With multiple hold points and the *Accuracy 1st Speed Shooting Formula* built right into the reticle, more targets are in reach—faster than ever. *First focal plane only.*

Mil-Radian measurements

The incremental amount denoted as a mil-radian (mil) is an angular system of measurement.

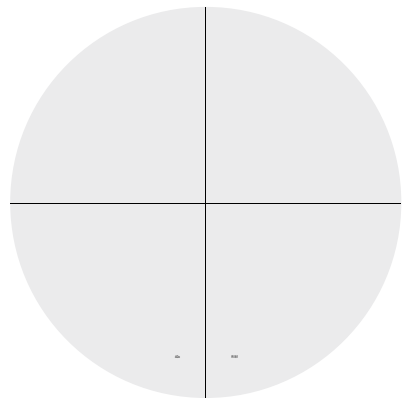
A true mil is equal to 1/6283 of a circle, or 3.43775 MOA. This equals 3.599" at 100 yards or 10 cm at 100 meters.

As an angular unit of measurement, the value is not an equal, linear amount at all distances. As such, 1 mil is 3.599" at 100 yards, 7.198" at 200 yards, 10.797" at 300 yards, etc.



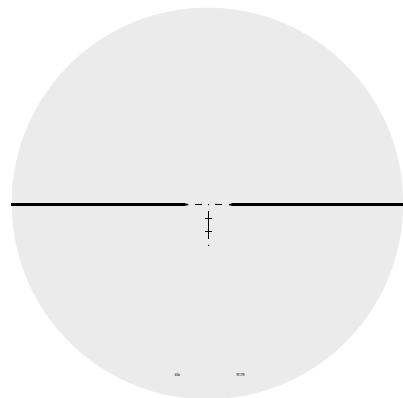
CTR-2™

For those looking for a very fine line with center dot for target or precision shooting, the CTR-2 is your answer. The crosshairs are a very fine .016 MOA with a .095 MOA center dot. Available exclusively in our Competition™ family.



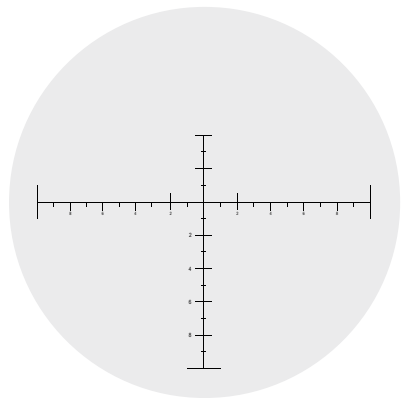
CTR-3™

The CTR-3™ is the simplest reticle we offer, delivering uncluttered precision when needed. The line thickness is a fine .016 MOA and extends to the edges of the field of view. Available exclusively in our Competition™ family.



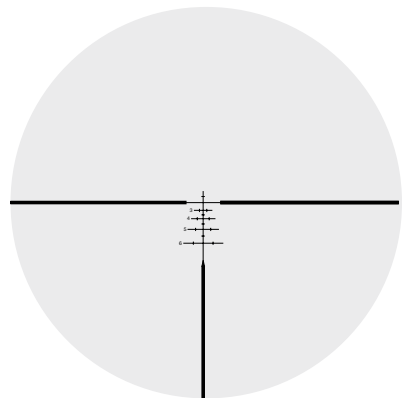
DDR-2™

This versatile reticle works well for the competition and varmint shooter. A .095 MOA floating center dot has bold lines to the side, as well as vertical holdovers at .50, 1.0, 2.0 and 2.5 MOA below center; and another dot 3 MOA below center. Available exclusively in our Competition™ family.



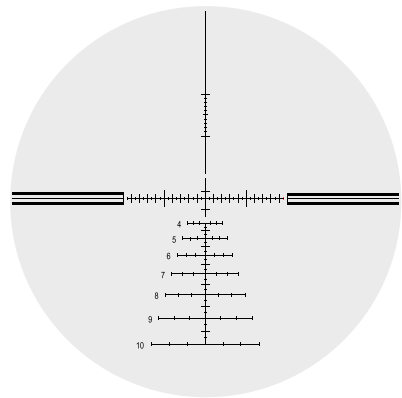
FCR-1™

Originally developed with the help of the US F-Class rifle teams, this reticle is extremely popular. It has .016 MOA lines and 1 MOA markings along the vertical and horizontal lines. Available exclusively in our Competition™ family.



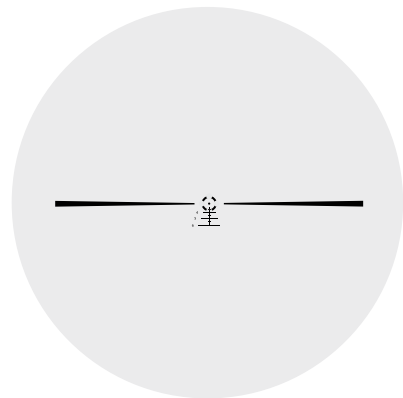
Velocity 600™

Created for precise shot placement to 600 yards with accurate holdovers. Three versions are available to match to your favorite rifle's ballistic profile. Available exclusively in our NXS™ 2.5-10x42.



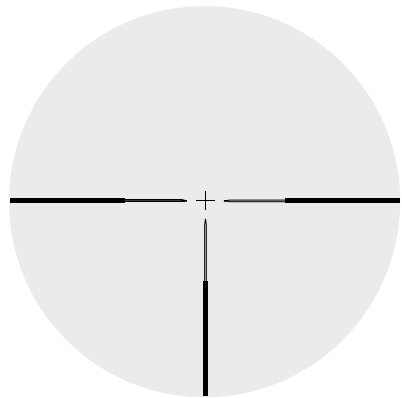
Velocity 1000™

Designed for precise shot placement to 1000 yards with accurate holdovers. Several versions are available to match to your favorite rifle and its ballistic profile. Available exclusively in our NXS™ family.



FC-3G™

Created specifically for our 1-4x24 NXS™ and optimized for 5.56 NATO and 7.62 NATO cartridges in 16" barrels, the FC-3G™ is a fast and accurate reticle for targets both close and distant. A segmented circle and center dot pair nicely when speed matters, while a 600-yard holdover tree works well at extended ranges.



IHR™

IHR stands for International Hunting Reticle (some say vastly Improved Hunting Reticle), with good reason. It's uncluttered and lightning fast, effective at both close quarters and at longer ranges on smaller targets. A floating center crosshair provides simple holdoff capability while posts at 3, 6 and 9 o'clock bring the eye quickly to center.

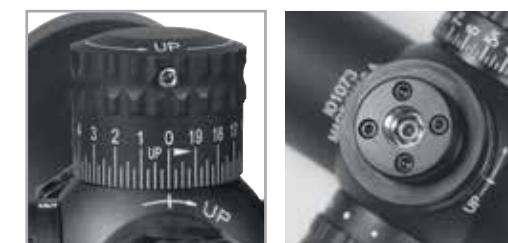
NIGHTFORCE ADJUSTMENT AND ILLUMINATION TECHNOLOGY

ZeroStop™

Patented Nightforce ZeroStop® technology is a brilliant solution to an old problem: returning to your zero setting after extensive elevation adjustments.

After sighting in your rifle, simply set the ZeroStop™ according to instructions, and you create a positive mechanical stopping point at your chosen zero point. No matter how many elevation adjustments you make, turning the elevation knob down to the ZeroStop™ setting returns you to your original zero, completely by feel—even in total darkness or while wearing gloves. No counting clicks, no need for visual reference, no wasted effort. Just an instant return to zero. Every time.

Visit NightforceOptics.com for more information and to determine which riflescopes are equipped with ZeroStop™.



Setting ZeroStop™ takes only a minute or two and an Allen wrench (which we provide). The elevation adjustment cap removes with two set screws.

Loosen four Allen head screws (may differ by model) on the clutch assembly, snug the upper clutch face against the lower clutch face, retighten the screws and reinstall the cap. You're done.

ZeroHold™

Nightforce ZeroHold™ is a low-profile mechanism for the ATACR™ 4-16x42 F1™ riflescope. It has several functions, primarily holding the elevation adjustment at zero until the ZeroHold™ button is depressed. ZeroHold™ allows an instant return to zero after making elevation adjustments, and also lets the shooter dial below zero.



ZeroSet™

ZeroSet™ technology was created specifically for our 5-20 x 56 and 4-14 x 56 F1 SHV™ riflescopes. It provides a quick and efficient means of returning to your zero setting, even after you've made several elevation adjustments. You will never have to "hunt" for your zero.



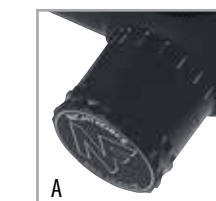
Digillum™

Digillum™ digital reticle illumination technology is available in B.E.A.S.T.™, ATACR™ and select NXS™ models. It increases convenience and functionality in a single button control.



Choose the appropriate illumination setting for your lighting conditions—either red or green, in multiple intensities from very dim to extremely bright. You can then turn off illumination to save your battery.

When you turn it back on, it defaults to your previously chosen setting, ensuring your night vision will not be adversely affected and that you're instantly ready for a shot.



Analog reticle illumination

Standard on many NXS™ and some SHV™ models. On riflescopes with parallax adjustment, illumination controls are found in the same adjustment on the left side of the scope (A). Illumination is activated by pulling out the adjustment knob, while parallax is adjusted by turning the knob.

NXS™ 1-4x and 2.5-10 x 32 Compact riflescopes have fixed parallax, with the left-side adjustment controlling illumination only (B).

SHV™ 4-14x and 5-20x models are available with illumination control located on the parallax adjustment, but illumination is activated by turning the illumination dial (C).

TS-82™ XTREME HI-DEF™ 20-70x SPOTTING SCOPE

FINALLY. A SPOTTER THAT CAN KEEP UP WITH OUR RIFLESCOPES.

In just its first year of production, *Field & Stream* magazine was sufficiently impressed to give the TS-82™ their 2014 “Best of the Best” award in optics. It meets—and exceeds—the quality, resolution, brilliance and fidelity of the world’s most well-known, most highly respected European spotting scopes, many of which come with much higher price tags.

If you have never used a world-class spotting scope, you are in for an eye-opening experience. Literally.



APO fluorite glass is costly and difficult to work with. But, there is no other glass that provides truer, more brilliant color. You will only find it in the very finest spotting scopes.

Proprietary Nightforce coatings result in superb contrast and brightness, just like our riflescopes. There are none better. We’ve also added a hydrophobic coating which immediately sheds water without leaving residue. It also repels fingerprints and smudges, keeping your images crisp and clean.

An extensive line of accessories is available for the TS-82™, including rugged, handsome carrying cases and heavy duty protective sleeves.



The optional 30-60x wide angle eyepiece is ideal for spotting moving game and looking over a wide swath of landscape.



The TS-82™ is offered with straight or angled eyepieces.



Internal prism design provides maximum light transmission, as opposed to mirrors which absorb critical light rays. It is also easy on the eye, which greatly reduces fatigue and extends viewing time.

Large center focus ring is highly precise, comfortable to use and extremely fast, even while wearing gloves.

Rotating tripod mount allows 360-degree rotation of the TS-82™. There are clearly felt detents at the 45, 90 and 180-degree positions, and it can be locked in place at any degree of rotation.



Quick-release bayonet mount allows quick, secure changing of eyepieces and accessories. An optional wide angle 30-60x eyepiece is also available.



Aluminum body provides ruggedness and thermal stability. The TS-82™ is thoroughly shock tested and waterproof.

Vivid, high contrast images are the norm, even at the highest magnifications. The TS-82™ produces crisp, razor-sharp resolution with no distortion from edge to edge.

82mm objective lens provides exceptional low-light performance.

Magnification range	20-70x standard
Objective diameter	82mm
Lens coatings	Fully broadband multi-coated
Main body material	Magnesium alloy
Weight (oz.)	63 (approx.)
Waterproof	Yes
Nitrogen purged	Yes
Focus	Barrel
Focus rotations, 6 m to ∞	1 3/4 turns
Eyecup	Twist-up, removable
Tripod platform	Magnesium
Armoring	Full rubber
Protective caps	Removable eyepiece and objective lens covers
Tripod thread:	1/4-20
Standard eyepiece	20-70x
Optional eyepiece	30-60x wide angle
Coating	Fully broadband multi-coated
Exit pupil	4.10–1.17 mm
Eye relief	18 mm
Field of view	20x: 12.3 ft @ 100 yds 70x: 4.9 ft @ 100 yds

TS-80™ HI-DEF™ 20-60x SPOTTING SCOPE

EASY ON THE EYES. AND ON THE WALLET.



Adjustable eyecup accommodates glasses.

Angled eyepiece for maximum comfort.

Zoom from 20x to 60x with less than a half turn of the silky-smooth magnification ring.



Tomo Svetic, owner of Europe's Artemis Hunting Ltd., uses his TS-80™ to zero in on a distant chamois in the mountains of Croatia.

Magnesium alloy body is virtually indestructible and thermally stable.

Non-slip rubber armor provides a sure, quiet grip while protecting the TS-80™ from scratches and dents.

The TS-80™ is thoroughly shock tested and waterproof.

Foot fits many quick-release tripods; also accepts most standard mounting plate adapters.



Accessories include heavy-duty protective sleeve, carrying case and cleaning kit.



Large focus ring is extremely precise and comfortable to use, even when wearing gloves. It focuses from 20 feet to infinity in two turns.

Locking center ring allows 360-degree rotation of the TS-80™ when mounted on tripod. There are clearly-felt detents at the 45-, 90- and 180-degree positions, and it can be locked in place at any degree of rotation.

Internal roof prism design aids in maximum light transmission, as opposed to mirrors which absorb critical light rays. It also helps reduce eye fatigue and extends viewing time.

Integral retractable eyeshade provides protection and reduces extraneous light.

80mm objective lens helps provide superb light transmission, especially at dawn and dusk.

The finest European HD glass, fully broadband multi-coated, provides outstanding color contrast, brilliant images and excellent resolution.

Assembled in the USA.

Magnification range	20-60 x (non-removable)
Objective diameter	80mm
Lens coatings	Fully broadband multi-coated
Main body material	Magnesium alloy
Weight (oz.)	68
Focus	20 feet to infinity
Waterproof	Yes
Nitrogen purged	Yes
Focus rotations, 6 m to ∞	Two
Eyecup	Twist-up, removable
Tripod platform	Magnesium
Armoring	Full rubber
Protective caps	Removable eyepiece and objective lens covers
Tripod thread:	1/4-20
Eyepiece:	20-60x
Coating	Fully broadband multi-coated
Exit pupil	4.00-1.33 mm
Eye relief	18.5 mm
Field of view	20x: 10.5 ft @ 100 yds 60x: 5.7 ft @ 100 yds



20x



60x





ACCESSORIES

Ultralite Ring Heights:
 .885" (30mm only)
 1.00"
 1.125"
 1.265" (30mm only)
 1.375"
 1.50"

Steel Ring Heights (30mm only):
 .885"
 1.00"
 1.125"
 1.375"

NIGHTFORCE RINGS & BASES: THE ONLY WAY TO IMPROVE A NIGHTFORCE RIFLESCOPE.

The finest riflescope in the world is only as good as its mounts. Using inferior mounts is simply asking for trouble, as they can cause stress and alignment problems that are extremely difficult to diagnose. Large-caliber rifles producing heavy recoil can also wreak havoc on poor-quality mounts.

X-Treme Duty™ Ultralite™ Rings, Mounts and Bases

Available in both four-screw and six-screw versions. Crafted of machined 7075-T6 hard anodized aluminum, with titanium crossbolts and jaws, they give you the performance of steel at half the weight. This unique construction provides strength well beyond that normally found in lightweight rings.

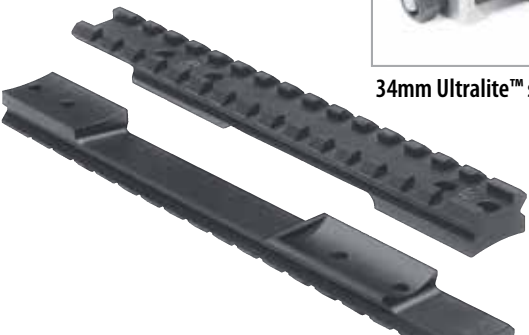
The four-screw ring will provide a lifetime of service for most applications. If you think you need 50% more clamping force, the six-screw Ultralite rings will hold your riflescope under any conceivable situations. Our Ultralite™ rings are offered in six heights for 30mm tubes and four heights to fit 34mm tubes.

X-Treme Duty™ Steel Rings

Made to our own stringent, uncompromising specifications. Designed to fit Mil. Std. 1913 bases, we machine a load-bearing recoil lug on the grade eight crossbolt. This lug precisely matches the machined cross lug of our Nightforce bases, providing perfect alignment and superior accuracy. Offered in four heights for 30mm diameter tubes.

X-Treme Duty™ Steel Bases

Precision CNC machined to exact Mil. Std. 1913 specification rail dimensions from a single billet of steel. They match the receiver contour, ensuring straight and true alignment. Scallops on the side will not interfere with loading or extraction. Remington 700 bases include an integral recoil lug machined into the bottom. This provides a precise fit, prevents movement of the base and eliminates recoil stress on mounting screws. Standard with a 20 MOA taper, with a 40 MOA taper available for Remington 700 bases. Two-piece configurations are available for Remington and Savage actions.



30mm Ultralite™ four-screw



30mm Ultralite™ six-screw



34mm Ultralite™ four-screw



34mm Ultralite™ six-screw



NIGHTFORCE DIRECT MOUNT™ THE ULTIMATE MOUNTING SOLUTION FOR A DEDICATED SCOPE/RIFLE COMBINATION.

With fewer moving parts, the X-Treme Duty™ Nightforce Direct Mount™ is more reliable and up to 45% lighter in weight than traditional mounting systems. It is, quite simply, the finest mount for Remington 700 actions ever made.

The Direct Mount™ one-piece system, built to mount directly to Remington 700 short or long actions, ensures true alignment and maximum strength for precision shooting.

The base and integral rings are CNC machined to precise tolerances from 7075-T6 hard anodized

aluminum, providing exceptional strength while reducing weight.

The Direct Mount's 20 MOA taper maximizes internal riflescope adjustment and long-range capability. It incorporates an integral recoil lug which prevents any movement of the base or stress on the screws while subjected to harsh recoil.

The Nightforce Direct Mount™ eliminates most common mounting problems. Alignment concerns vanish, and there is no need for lapping or cants. The entire mounting process is simpler and faster.



NIGHTFORCE XTREME-DUTY™ UNIMOUNTS™ AND MAGMOUNTS™

Available in three heights/30mm diameter:
 1.125"
 1.375"
 1.50"
 1.375" Extended

Available in 34mm diameter, 1.44" and 1.5" height in Unimount,™ 1.44" in Extended Unimount.™

Integral recoil lugs provide rock-solid security on Mil. Std. 1913 receivers.

The Ultralite™ Extended Unimount™ is designed for shorter receivers and can provide additional eye relief.



When a tough, reliable mounting system is required without adding substantial weight, the Nightforce Ultralite™ Unimount™/Magmount™ is the answer. It features a CNC machined 7075-T6 hard anodized aluminum body and titanium beta series crossbolts and jaws.

This unique design and construction provides the performance of steel at half the weight.

The Nightforce Unimount™/Magmount™ is designed to remain attached to the scope at all times, allowing quick removal and installation on different firearms.

Unimounts™ and Magmounts™ are available for 30 and 34mm riflescopes, and feature a 20 MOA taper (Magmounts are also available with a zero degree

taper). The Unimount™/Magmount™ is the ultimate mount for attaching to weapons with an integral Mil. Std. 1913 flat top-type receiver.

Precise tolerances ensure that the riflescope is not subjected to stress, strain or bending as the ring screws are tightened.

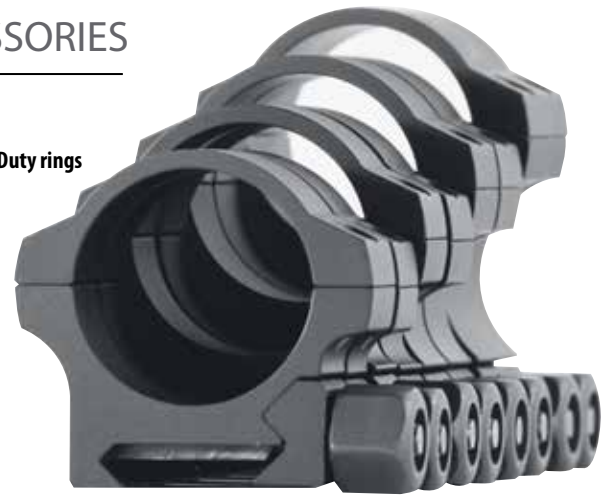


The Ultralite™ MagMount™ (30mm & 34mm) and Compact Magmounts™ (34mm only) add a third crossbolt for even greater protection against recoil. The 1.44" height allows clearance of 56mm objective riflescopes when mounted on a continuous rail.

ACCESSORIES

Standard Duty rings

.90"
1.00"
1.25"
1.50"



Standard Duty Rings

An ideal combination of durability and value. Straightforward two-screw design simplifies installation and requires less front-to-back space, for applications where installation choices are limited. The positive locking jaw design and machined recoil lug provide perfect alignment for superior accuracy when mounted to Mil. Std. 1913 bases. Offered in four heights for 30mm diameter tubes. An excellent mounting solution when partnered with a Standard Duty or X-Treme Duty™ base.

Standard Duty Bases

Nightforce Standard Duty bases are a quality, affordable solution for ensuring that your scope is firmly mounted to your rifle. These aluminum bases are machined to Mil. Std. 1913 rail specifications and hard anodized.



Available for a wide variety of firearms, including:

Browning A-Bolt • Howa 1500 • Kimber 84 & 8400 • Mauser 98 Large Ring • NEF/HNR Handi Rifle
Remington 700 & XP100 • Ruger American • Ruger 10/22 • Savage Round & Flat Actions
Savage Mk II, 64 & 93 Rimfire • T/C Contender & Encore • Tikka T3 & 595 • Weatherby Vanguard & MKV • Winchester 70 & 52 Target

Nightforce Gunsmith Bases (steel or aluminum alloy)

These Mil. Std. 1913 base blanks allow you to customize the length, height, radius and hole spacing to your specific application. Standard taper is 20 MOA.



RAP™

Our Ruggedized Accessory Platform (RAP) provides four inches of rail space above your riflescope for mounting of lasers, illumination tools or other accessories. The RAP was optimized to withstand heavy recoil and still maintain zero with even delicate accessories or sensors. Designed to fit 4- and 6-screw X-Treme Duty™ rings.



MultiMount™

The Nightforce MultiMount™ was originally designed as a platform for close-range sights to be mounted in conjunction with a primary riflescope. In practice, the MultiMount offers a user-configurable system that is rock-solid for nearly any accessory that will fit. Designed to fit 4- and 6-screw X-Treme Duty™ rings. Two Mil. Std. 1913 rails included.

Top Ring Bubble Level/ADI

Replaces the top ring of our 30mm and 34mm Unimount™, Direct Mount™ and Ultralite™ rings, and our 30mm steel rings. Available with integral Angle Degree Indicator mount or as top ring/bubble level only.



The Bubble Level with integral ADI mount (A129) can be turned either way for left- or right-handed actions. The ADI itself must be ordered separately for left-handed (A119) or right-handed (A122) actions to ensure accurate readouts.

Top ring bubble level shown installed.



Bubble level with ADI mount.



Bubble level, ADI mount and ADI installed (sold separately).



Top Ring Bubble Level/ADI mounts are also available for 34mm Xtreme Duty™ Accessories.



Nightforce Angle Degree Indicator with Mount

The Nightforce Angle Degree Indicator takes the guesswork out of uphill and downhill shots. Calibrated in degrees, it gives you an instant readout. It is available in two versions: (1) a two-piece, low-profile Mil-Std. 1913 mount for one-piece bases that allows easy installation without removing the scope (shown below); and (2) as part of our 30mm top ring bubble level system (above). It is simple, robust, and requires no batteries. Available in right-hand or left-hand rifle action configurations.



ACCESSORIES

Nightforce Torque Wrench



The perfect tool to ensure proper tightening of rings, bases, and other precision accessories to recommended specifications. Equal to 68 inch/lbs.

Nightforce Clamp-on PTL™



Our Power Throw Lever fits Nightforce NXS™ full size and non-enhanced Compact models, plus ATACR™ and SHV™ riflescopes. It allows instant magnification changes, even while wearing gloves. Easily removed.

Nightforce Cleaning Kit



Everything you need to keep your optics in pristine condition. Includes soft lens brush, approved cleaning solution and microfiber cleaning cloth. Stores in handy travel case. Highly recommended for any fine optics.

Spotting Scope Accessories

Spacious, durable and handsome case carries your spotting scope and all your accessories. Available individually or as a kit that includes spotting scope, eyepiece, protective sleeve, cleaning kit, fob lens cloth and grommet kit. (TS-80™ and TS-82™)



Heavy-duty sleeves add protection without compromising functionality. (TS-80™ and TS-82™)



30-60x wide angle eyepiece provides wider field of view, easier to track moving animals and birds. (TS-82™ only)



Mil-Std. 1913 rail allows attachment of wide range of accessories. (TS-80™ and TS-82™)



Nightforce Apparel

T-Shirts

Long- and short sleeve, Nightforce logo or medallion on front, AR-themed or riflescope logo artwork on back. Now in women's sizes, too! Several colors and themes to choose from.



Visit www.NightforceOptics.com to see the complete selection of our apparel and accessories.

Caps

Several options to show your Nightforce pride. Black, khaki, green and orange ripstop hats, with MultiCam as well. Also available are red, blue and black mesh-back hats.





THIS IS NO PLACE FOR AMATEURS.

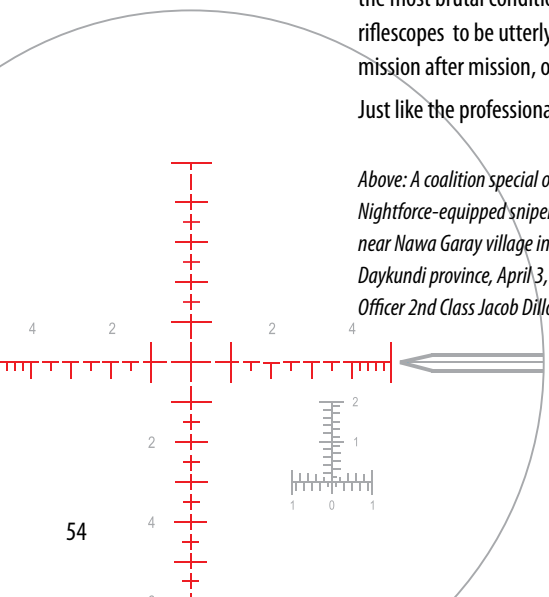
NIGHTFORCE MIL-SPEC RIFlescOPES

Some optics companies slap “tactical” on an off-the-shelf consumer product and think that makes it suitable for professionals. It doesn’t.

Nightforce MIL-SPEC riflescopes are purpose-built to exceed MIL-STD 810G requirements. For over a decade, USSOCOM forces have relied upon Nightforce under the most brutal conditions imaginable. We build our riflescopes to be utterly rugged, reliable and repeatable... mission after mission, operation after operation.

Just like the professionals who use them.

Above: A coalition special operations service member fires his Nightforce-equipped sniper rifle from a hilltop during a firefight near Nawa Garay village in the Kajran district of Afghanistan's Daykundi province, April 3, 2012. U.S. Navy photo by Petty Officer 2nd Class Jacob Dillon.



The hole you see in the well-used Nightforce NXS™ 3.5-15 x 50 riflescope at right was made by an enemy 7.62x39 round fired at a U.S. soldier. The bullet completely penetrated the erector tube—the heart of the scope's optical system. We're happy to report that the soldier was not injured, and the only casualty was the riflescope's magnification ring, frozen on 15x. Its focus, tracking, and all other functions work just fine. It holds point of aim like new.

The soldier wrapped the riflescope in duct tape to keep out sand and dirt, and used it without a problem for the next three days, completing his mission.

We won't say they're bulletproof. There is at least one soldier, however, who would argue otherwise.



PURPOSE-BUILT FOR THE MODERN WARFIGHTER.

- **All air-to-glass surfaces** receive our proprietary broadband multi-coating, exceeding the toughest MIL-SPEC abrasion test.
- **Mechanical components** will retain their integrity when exposed to extreme shock and vibration, such as full auto-fire and explosive environments such as I.E.D. attacks.
- **All optical elements** are bedded in our proprietary MIL-SPEC bonding agent, eliminating any glass-to-metal contact.
- **Tracking and dial accuracy**, reticle tilt, maximum adjustment range, between-power deviation and adjustment backlash are held to tolerances unmatched by any other scope manufacturer.
- **Every MIL-SPEC riflescope** must pass a pressure test simulating an underwater depth of 100 feet, exceeding current U.S. military specifications by up to 25%.
- **Pressure testing** guarantees that all MIL-SPEC riflescopes are airtight, ensuring the integrity of internal components against the effects of rapid temperature and pressure fluctuations encountered by HALO (High Altitude, Low Opening) troop insertions and covert waterborne insertions at submarine depth.

- **Extensive side, front and rear** impact testing ensures that each riflescope can withstand battlefield abuse.
- **Each MIL-SPEC riflescope** is individually inspected and tested to guarantee consistency, repeatability and integrity at every stage of the manufacturing process.

Nightforce MIL-SPEC riflescopes are currently offered in several configurations. They are not available for civilian sales. Please contact our MIL • GOV • LE department for more information.



Above: Two of our newest riflescopes, created to maximize the versatility provided by first focal plane reticle placement. Offered with .250 MOA or .1 Mil Radian adjustments and proprietary Nightforce reticles as well as the Horus H59 and TReMoR3. The 4-16 x 42 F1 is streamlined and compact, adaptable to a wide range of weapons platforms. Our 5-25 x 56 F1 is one of the world's premier long-range riflescopes, exceeding the capabilities of any known caliber and high-BC bullet.

*"You can manufacture weapons
And you can purchase ammunition,
but you can't buy valor
And you can't pull heroes
off an assembly line."*

*—Sergeant John B. Ellery
U.S. 1st Infantry Division*

*Inscribed at the Normandy American Cemetery
Visitor Center, Colleville-sur-Mer, France*

NIGHTFORCE IN THE FIELD



Pat Hunt, an F-Class shooter in the Republic of Ireland, medaled at the F-Class 2013 European championships. "I have a Nightforce Competition 15-55 x 52," Pat said, "and it worked without fault. There were a lot of wind adjustments through each distance... I won the gold at 900 yards, [had] the second highest V bull count over two days, and won a bronze in the Rutland team on day three... the scope worked flawlessly."



Doreen Röhl of Germany, the only woman shooting in a .50 BMG competition at 1000, 1200, and 1500 meters, not only helped her team secure first place but took second overall in individual standings. She used a NXS™ 5.5-22 x 56 that was acquired used, already having seen thousands of shots. Doreen modestly added that she overcame the "problem" of six professional military snipers in the competition, too.



Using a Nightforce Competition™ 15-55 x 52 riflescope, Mike Hanes rewrote the Light Gun Four-Target Group record with an aggregate of 1.496. He also broke the Eight-Target Two-Gun (light and heavy) record, with a 1.7885 aggregate. Mike uses a Nightforce Precision Benchrest on his 6mm Dasher shown here. Mike was the 2012 IBS 600-Yard Shooter of the Year.



B.J. Bailey of Third Generation Shooting Supplies shoots the Nightforce B.E.A.S.T.™ on a DTA rifle in the PRS series (long range tactical rifle shooting).

Eric Stecker, president of Berger Bullets, used a Nightforce NXS™ 5.5-22 x 56 while testing a new bullet design in New Zealand. He took 71 feral and cull animals in four days, from 60 to 420 yards. "I'm not embarrassed to admit that I fell at least once each day," Eric said. "The scope found the ground and several rocks. On one, the sound of the scope bouncing off a rock was so clear and loud that I was certain that the scope was damaged.

"After making sure the glass wasn't broken I recalled how aggressively these scopes are tested and continued to hunt. My next shot was a pinwheel hit in the vitals on a goat at 220 yards. The scope performed perfectly. I was so thrilled I decided then and there that all my rifles were going to be fitted with Nightforce scopes."



Stefan Fouché, sales manager for Safari & Outdoor outfitters in Pretoria, South Africa, distributes Nightforce optics and obviously believes in them. He took this fine springbok ram at 400 meters using a Nightforce NXS™ 5.5-22 x 50 atop a Savage Mod 12 VLP, shooting 180 gr. Nosler Accubonds.



Nightforce Optics is proud to partner with Arizona Game & Fish and Berger Bullets to expand and improve the 1000 yard rifle range at the Ben Avery Shooting Facility outside of Phoenix, AZ. Ben Avery is home to the annual SouthWest Nationals, which attracts F-Class and Palma shooters from all over the world.



While he's shown lying down on the job here, young Navy officer Keith Trapp is a rising star in precision shooting. Keith recently set three Service category highpower records, including 300 Yard F-open, 600 Yard F-open and F-Class Palma course. He also has eight pending records for Service category F-open and Fullbore competitions. Keith is an NRA Master in both F-class mid-range and long-range categories. And, he's a dedicated Nightforce user.

A LABOR OF LOVE

For all the technology that goes into a Nightforce riflescope, it is ultimately the quality of our people that determines the quality of our products. And we have very good people, indeed.

Most of our staff are avid shooters. Many are dedicated hunters. As such, working at Nightforce is far more than a job. Our people "walk the walk" in competition and in the field. It results in a passion reflected in everything they build and in the exceptional customer service they provide.

This catalog is dedicated to our people, and to all of the extraordinary work they do.

They are Nightforce.



The lady can shoot

Tess Bradley, the wife of Nightforce quality control employee Levi Bradley, dropped this fine bull elk at 275 yards with a SHV™ 3-10 x 42 and IHR™ reticle atop a .375 H&H. "Those SHVs are great hunting scopes," Levi said. Tess agrees.



Robert's bear hug

The fall 2015 season found Robert Lacinola, technical support specialist at Nightforce, spending his weekends chasing Idaho bears. He caught up with this big bruin just a few miles from the Nightforce factory. One shot at 300 yards with a Berger 185 VLD and his NXS™ 5.5-22 x 56 did the job.



Not beginner's luck

Our Marketing Specialist Wayne Dayberry is seen running the long range stage at the 2015 NRA World Shooting Championship in Glengarry, WV. Wayne finished 12th in the Amateur division.



Colorado Creedmoor

North American Sales Manager Alan Stilwell is spotted here at the Sniper's Hide Cup in eastern Colorado. He was using his 6.5 Creedmoor with ATACR™ F1 on top to compete the tough courses of fire.



A heavenly elk hunt
Not willing to stop with his bear (shown at left), Robert Lacinola also packed far into the Idaho wilderness to take this bull at 565 yards with his ATACR™ 5-25 x 56 and .300 Win Mag. "Ten and a half hours of solo packing" to get his elk back to civilization, Robert said. "It was hell... or heaven, depending on how you look at it!"

Butch's beast

International Sales Account Manager Butch Whisenant took this excellent South African wildebeest in near-darkness with a NXS™ 5.5-22 x 56 atop a .260 Tikka T3 with GRS rifle stock. Butch said the low-light capabilities of the NXS™ allowed him to easily pick the big male from a large herd and make the shot.



Mike's muley

Mike Forest, customer service manager at Nightforce, used an ATACR™ 5-25 x 56 to take this exceptional southern Idaho mule deer during the 2015 season.



Strictly business

Jerry Davenport, Nightforce international sales manager, occasionally gets to combine business with pleasure. Here he's shown with a beautiful South African wildebeest and a handsome roebuck in England. Both taken with Nightforce riflescopes, of course.



Good planning

Jon Johnson, Nightforce materials planner, stopped this Idaho whitetail during the 2015 season with his ATACR™ 5-25 x 56 atop a 300 Weatherby. It was an "easy" 525-yard shot.

SPECIFICATIONS



Focal plane	Second	Second	Second	Second	Second	Second	Second	Second	Second	Second	First	Second	First	Second	First	Second	Second	Second	Second
Objective outer diameter	30 mm	40 mm	50 mm	59 mm	59 mm	65 mm	65 mm	50 mm	65 mm	59 mm	65 mm	50 mm	65 mm	65 mm	65 mm	69 mm	69 mm	61 mm	53 mm
Exit pupil diameter	1x: 16 mm 4x: 6 mm	2.5x: 13.3 mm 10x: 3.3 mm	2.5x: 15.5 mm 10x: 4.4 mm	3.5x: 14.3 mm 15x: 3.6 mm	5.5x: 9.1 mm 22x: 2.3 mm	5.5x: 10.2 mm 22x: 2.5 mm	8x: 7.0 mm 32x: 1.8 mm	3x: 10.7 mm 10x: 4.4 mm	4x: 12.0 mm 14x: 3.6 mm	4x: 10.8 mm 14x: 3.3 mm	5x: 8.7 mm 20x: 2.5 mm	4x: 10.3 mm 16x: 2.7 mm	5x: 10.52 mm 25x: 2.28 mm	5x: 8.3 mm 25x: 2.3 mm	5x: 8.3 mm 25x: 2.3 mm	8x: 5.6 mm 32x: 1.7 mm	12x: 4 mm 42x: 1.4 mm	15x: 3.54 mm 55x: .93 mm	1.05 mm
Field of view @100 yards/100 meters	1x: 100 ft 4x: 25 ft 1x: 30.5 m 4x: 7.6 m	2.5x: 44 ft 10x: 11 ft 2.5x: 13.4 m 10x: 3.4 m	2.5x: 44 ft 10x: 11 ft 2.5x: 13.4 m 10x: 3.4 m	3.5x: 27.6 ft 15x: 7.3 ft 3.5x: 8.4 m 15x: 2.2 m	5.5x: 17.5 ft 22x: 4.7 ft 5.5x: 5.3 m 22x: 1.4 m	5.5x: 17.5 ft 22x: 4.7 ft 5.5x: 5.3 m 22x: 1.4 m	8x: 12.1 ft 32x: 3.1 ft 8x: 3.7 m 32x: 1 m	3x: 34.9 ft 10x: 11 ft 3x: 10.6 m 10x: 3.4 m	4x: 24.9 ft 14x: 7.3 ft 4x: 7.59 m 14x: 2.23 m	4x: 25.1 ft 14x: 7.4 ft 4x: 7.65 m 14x: 2.25	5x: 17.9 ft 20x: 5.0 ft 5x: 5.46 m 20x: 1.52 m	4x: 26.9 ft 16x: 6.9 ft 4x: 8.1 m 16x: 2.1 m	5x: 17.96 ft 25x: 4.92 ft 5x: 5.47 m 25x: 1.5 m	5x: 18.7 ft 25x: 4.9 ft 5x: 5.7 m 25x: 1.5 m	5x: 18.7 ft 25x: 4.92 ft 5x: 5.7 m 25x: 1.45 m	8x: 9.4 ft 32x: 3.1 ft 8x: 2.9 m 32x: 1 m	12x: 6.7 ft 42x: 2.3 ft 12x: 2 m 42x: 0.7 m	15x: 6.91 ft 55x: 1.83 ft 15x: 2.10 m 55x: 0.55 m	2.87 ft 0.87 m
Eye relief	90 mm/3.5"	95 mm/3.7"	88 mm/3.5"	99 mm/3.9"	95 mm/3.7"	99 mm/3.9"	98 mm/3.8"	88 mm/3.46"	80-90 mm/3.15-3.54"	70-80 /2.75"-3.15"	80-90 mm/3.15-3.54"	85-90mm/3.35"-3.54"	90 mm/3.54"	85-90mm/3.35"-3.54"	85-90mm/3.35"-3.54"	75 mm/2.9"	75 mm/2.9"	80-90 mm/3.15"	88 mm/3.46"
Internal adjustment range (MOA/Mil)	e: 100 MOA w: 100 MOA	e: 100 MOA w: 100 MOA e: 27 MIL w: 27 MIL	e: 100 MOA w: 100MOA e: 27 MIL w: 27 MIL	e: 110 MOA w: 80 MOA e: 30 MIL w: 22 MIL	e: 100 MOA w: 60 MOA e: 27 MIL w: 16 MIL	e: 100 MOA w: 60 MOA e: 27 MIL w: 16 MIL	e: 65 MOA w: 45 MOA e: 18 MIL w: 12 MIL	e: 90 MOA w: 80 MOA e: 27 MIL w: 19 MIL	e: 100 MOA w: 70 MOA e: 27 MIL w: 19 MIL	e: 90 MOA w: 70 MOA e: 27 MIL w: 19 MIL	e: 80 MOA w: 50 MOA	e: 89 MOA w: 60 MOA e: 26 MIL w: 18 MIL	e: 120 MOA w: 60 MOA e: 35 MIL w: 17 MIL	e: 120 MOA w: 80 MOA e: 35 MIL w: 24 MIL	e: 120 MOA w: 80 MOA e: 35 MIL w: 23 MIL	e: 50 MOA w: 50 MOA	e: 40 MOA w: 40 MOA	e: 55 MOA w: 50 MOA	e: 45 MOA w: 35 MOA
Click value	.250 MOA	.250 MOA .1 MIL-RAD	.250 MOA .1 MIL-RAD	.250 MOA .1 MIL-RAD	.250 MOA .1 MIL-RAD	.250 MOA .1 MIL-RAD	.250 MOA .1 MIL-RAD	.250 MOA	.250 MOA	.250 MOA	.250 MOA	.250 MOA .1 MIL-RAD	.250 MOA .1 MIL-RAD	.250 MOA .1 MIL-RAD	.50 and .250 MOA .2 and .1 MIL-RAD	.125 MOA	.125 MOA	.125 MOA	.125 MOA
Parallax adjustment	Fixed 75 yd	Fixed 125 yd	25 yd-∞	50 yd-∞	50 yd-∞	50 yd-∞	50 yd-∞	25 yd-∞	25 yd-∞	25 yd-∞	25 yd-∞	45 yd-∞	45 yd-∞	45 yd-∞	45 yd-∞	25 yd-∞	25 yd-∞	25 yd-∞	10.9 yd-∞
Tube diameter	30 mm/1.18"	30 mm/1.18"	30 mm/1.18"	30 mm/1.18"	30 mm/1.18"	30 mm/1.18"	30 mm/1.18"	30 mm/1.18"	30 mm/1.18"	30 mm/1.18"	30 mm/1.18"	34 mm/1.34"	34 mm/1.34"	34 mm/1.34"	34 mm/1.34"	30 mm/1.18"	30 mm/1.18"	30 mm/1.18"	30 mm/1.18"
Eyepiece outer diameter	40 mm	40 mm	40 mm	43 mm	43 mm	43 mm	43 mm	40 mm	43 mm	43.6 mm	43 mm	45 mm	44 mm	46 mm	46 mm	43 mm	43 mm	43 mm	43 mm
Overall length (inches/mm)	8.8/224	12/305	11.9/302	14.7/373	15.1/384	15.2/386	15.9/404	11.6/295	14.8/376	14.8/390	15.2/386	12.6/320	14.3/363	15.37/390	15.37/390	16.6/422	17/432	16.2/411	15.2/386
Weight (ounces/grams)	17/482	19/539	20.5/581* 19/535**	30/850	31/879	32/907	34/964	20.8/590	26.9/763* 28.5/808**	30/850	29.1/825* 30.5/865**	30/850	39/1108	37.6/1066	40/1134	36/1021	36/1021	27.87/790	20.7/587
Mounting length (inches/mm)	5.4/137	5.7/145	5.1/130	6.1/155	6.6/168	6.6/168	6.7/170	5.1/130	5.79/147	6.2/157	6.5/165	6.3/160	6.13/156	5.9/150	5.92/150	5.5/140	5.9/150	6.4/162	6.2/157
PTL (Power Throw Lever)	Standard	Standard	Standard	Accessory	Accessory	Accessory	Accessory	NA	Accessory	Accessory	Accessory	Standard	Standard	Standard	Standard	NA	NA	NA	NA
Reticles available	FC-3G™ IHR™	MOAR™ MIL-DOT MIL-R™	IHR™ MOAR™ MIL-DOT LV™ MV™ HV™ MIL-R™ <i>* Illuminated</i> <i>** Non-illuminated</i>	MOAR™ MIL-R™ MIL-DOT LV.5™ HV™	MOAR™ MOAR-T MIL-R™ MIL-DOT	MOAR™ MOAR-T MIL-R™ MIL-DOT	MOAR™ MOAR-T™ NP-2DD™ MIL-R™ MIL-DOT	IHR™ MOAR™	IHR™ MOAR™	MOAR™ (F1) MIL-R™ (F1)	IHR™ MOAR™	MOAR™ (F1) MIL-R™ (F1) H59 TReMoR3	MOAR™ MOAR-T™ MIL-R™ H59 TReMoR3	MOAR™ (F1) MOAR™ (F1) MIL-R™ (F1) H59 TReMoR3	MOAR™ (F1) MOAR™ (F1) MIL-R™ (F1) H59 TReMoR3	NP-R2™ NP-2DD™	NP-R2™ NP-2DD™	CTR-2™ CTR-3™ DDR-2™ FCR-1™	CTR-2™ CTR-3™
Illumination	External adj	External adj	DigIllum™	Analog	Analog	Analog	Analog	Non-illuminated	Optional	Analog	Optional	DigIllum™	DigIllum™	DigIllum™	DigIllum™	Analog	Analog	Non-illuminated	Non-illuminated
Elevation feature	ZeroStop Optional	ZeroStop Optional	ZeroStop Optional	ZeroStop	ZeroStop	ZeroStop	ZeroStop	Capped, finger-adjustable	Capped, finger-adjustable	ZeroSET	ZeroSET	ZeroHOLD	ZeroStop	ZeroStop	ZeroStop	Capped, finger-adjustable	Capped, finger-adjustable	ZeroStop	Finger-adjustable

Please note: Horus H59 and TReMoR3 reticles are offered in non-illuminated versions only.

CONTACT US



Factory/Headquarters and Customer Service

Nightforce Optics, Inc.
336 Hazen Lane
Orofino, ID 83544
tel 208.476.9814
info@nightforceoptics.com

North American Sales

Nightforce Optics, Inc.
2749 Providence Church Road
Lavonia, GA 30553
tel 800.732.9824 ext 8440
dealersales@nightforceoptics.com

MIL-GOV-LE

Nightforce Optics, Inc.
2749 Providence Church Road
Lavonia, GA 30553
tel 800.732.9824 ext 8420
militaryinfo@nightforceoptics.com

International Sales

Nightforce Optics, Inc.
2749 Providence Church Road
Lavonia, GA 30553
tel 800.732.9824 ext 8410
intlsales@nightforceoptics.com

Marketing

Nightforce Optics, Inc.
2749 Providence Church Road
Lavonia, GA 30553
tel 800.732.9824 ext 8430
marketing@nightforceoptics.com



Australian Sales

Nightforce Optics
11 Manton Street
Hindmarsh, SA 5007
Australia
tel +61 (0)8 8440 0888

FOLLOW US

 facebook.com/NightforceOptics

 instagram.com/Nightforce_Optics

 twitter.com/NightforceOptx

 youtube.com/NightforceOptics

Get the latest news, tech tips and good stories via our newsletter at www.NightforceOptics.com/newsletter

Find a Nightforce dealer near you at www.NightforceOptics.com



Show & tell at Nightforce. Nightforce employees in Orofino show off their firearms. It's a pretty safe bet on what riflescopes they prefer.



NIGHTFORCE®

www.NightforceOptics.com

LightFORCE™
PERFORMANCE LIGHTING
A Lightforce company

International Warranty & Service

Please contact your country's authorized Nightforce Optics distributor and/or retailer for instructions. A list of international distributors and dealers can be found at www.NightforceOptics.com.

Export Compliance

Riflescopes, spotting scopes and accessories listed within, are controlled for export by the U.S. Department of State, under the International Traffic In Arms (ITAR) regulations (22 CFR, Parts 120-130), and/or the Department of Commerce under the Bureau of Industry and Security Export Administration Regulations (15 CFR, Parts 730-774). To export products outside of the United States of America, you must comply with the regulatory agency's license and documentation requirements.

Lightforce USA, dba Nightforce Optics, Inc.

© Nightforce Optics, Inc. 2016 1/16 All information herein is accurate at time of printing. Specifications and product appearances subject to change without notice.

