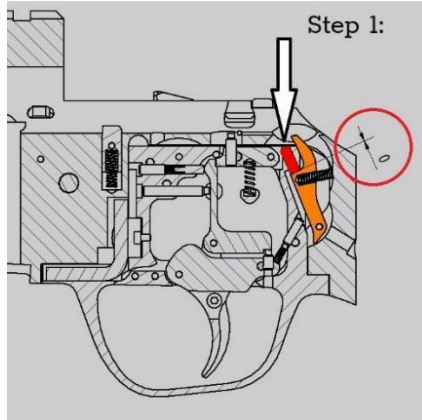
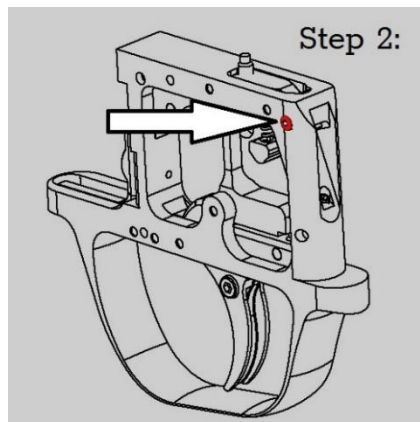


Installation-Guide for Strasser Triggers:

- 1: Adjust set-screw until the trigger-unit has a tight fit and check for free movement of the lever:



- 2: Tighten the clamping-screw and check the perfectly-tight fit and free movement of the lever again:



The trigger- installation must be done by verified Strasser-Dealers only!